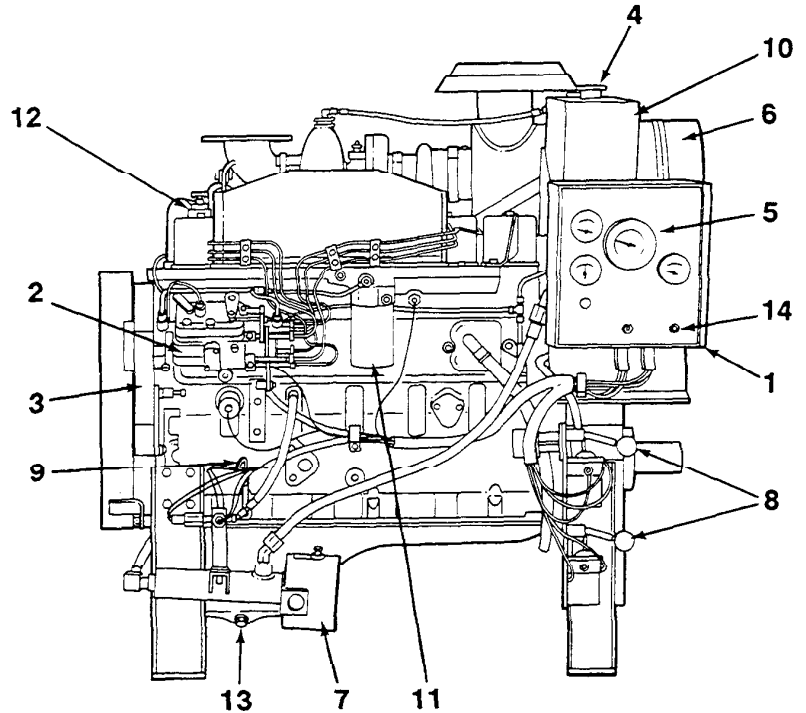


Cummins Parts Catalog

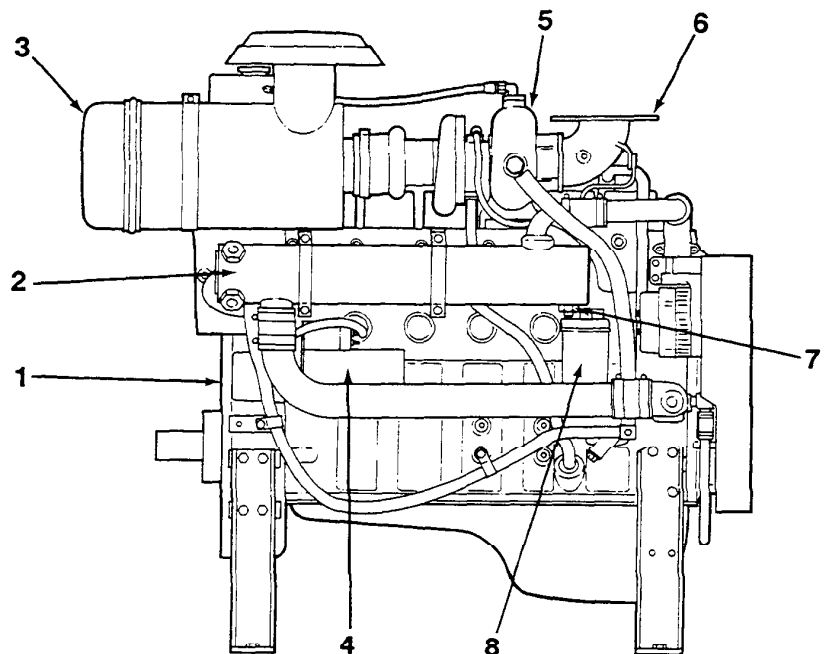
6BTA5.9 F1, F2, F4

The pictures which follow show the locations of the major external engine components, the filters, and other service and maintenance points.

1. Terminal Box
2. Fuel Pump
3. Engine Dataplate
4. Coolant Pressure Cap
5. Instrument Panel
6. Air Cleaner
7. Coolant Heater
8. Starting Motor Contactors
9. Dipstick
10. Top Fill Tank
11. Fuel Filter
12. Lubricating Oil Fill Location
13. Oil Pan Drain
14. Speed Switch (located inside box)



1. Flywheel Housing
2. Heat Exchanger
3. Air Cleaner
4. Starter Motor
5. Turbocharger
6. Exhaust
7. Zinc Plug
8. Full Flow Oil Filter

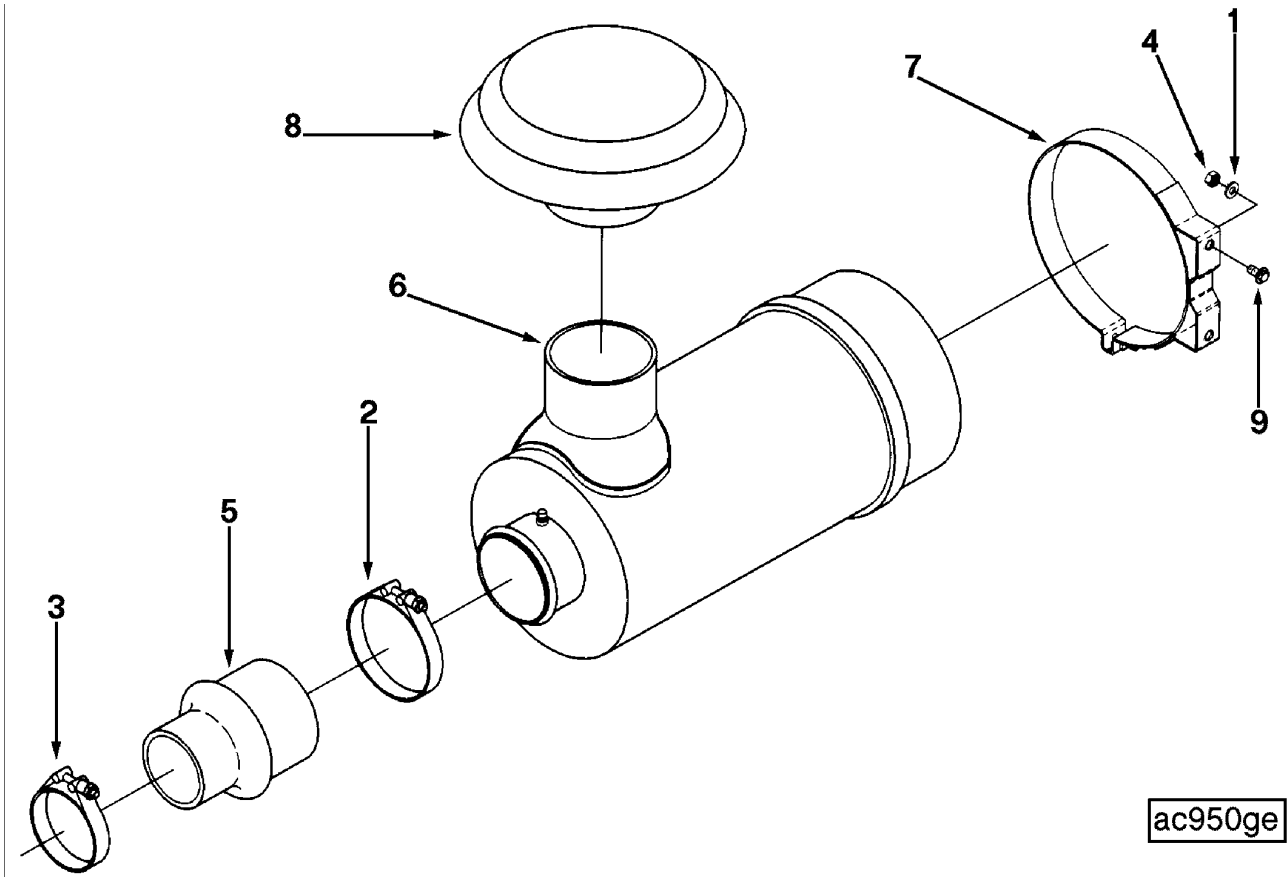




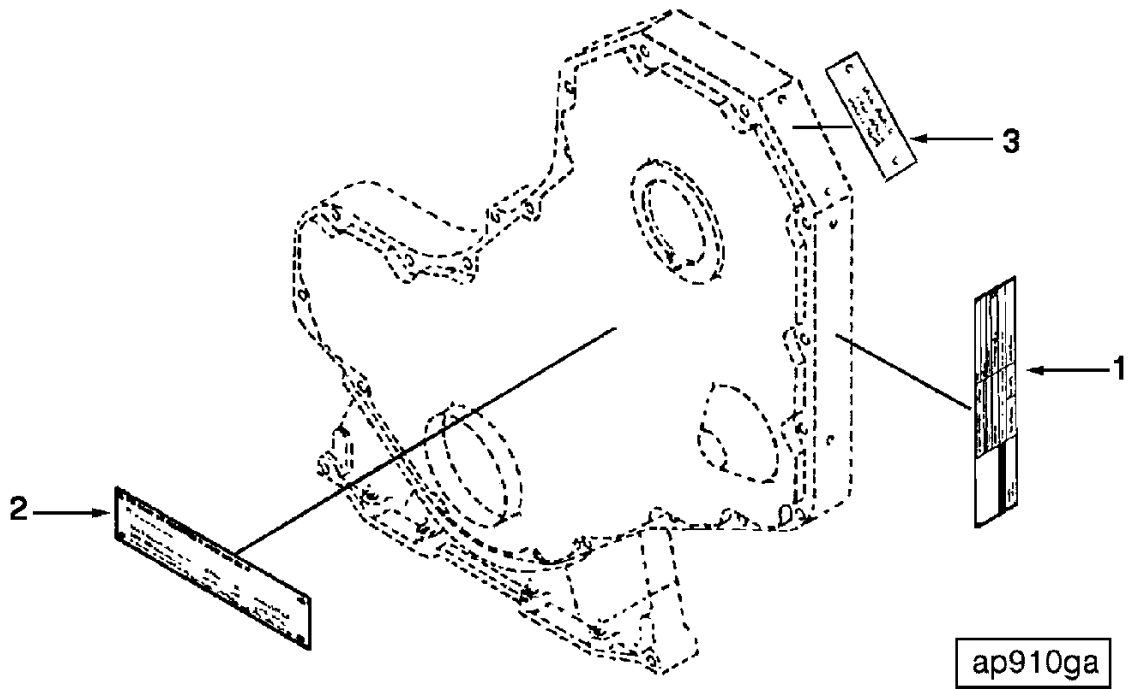
The following parts are suggested spares are for the Cummins 6BTA-F

Item	Quantity Per Service Interval	Cummins PN#	Fleetguard PN#	
6BTA5.9-F				
1 year or 250 hours	Air Cleaner	1	none	AF1735K
	Fuel Filter	1	3931063	FF5052
	Lube Filter	1	3932217	LF3349
	Lube Oil	4 Gal.	3377363	
	Alternator	As needed	3920679	
	Belt	As needed	3911587	
	Starter 12V	As needed	3916854	
	Red Paint	As needed	3885910	

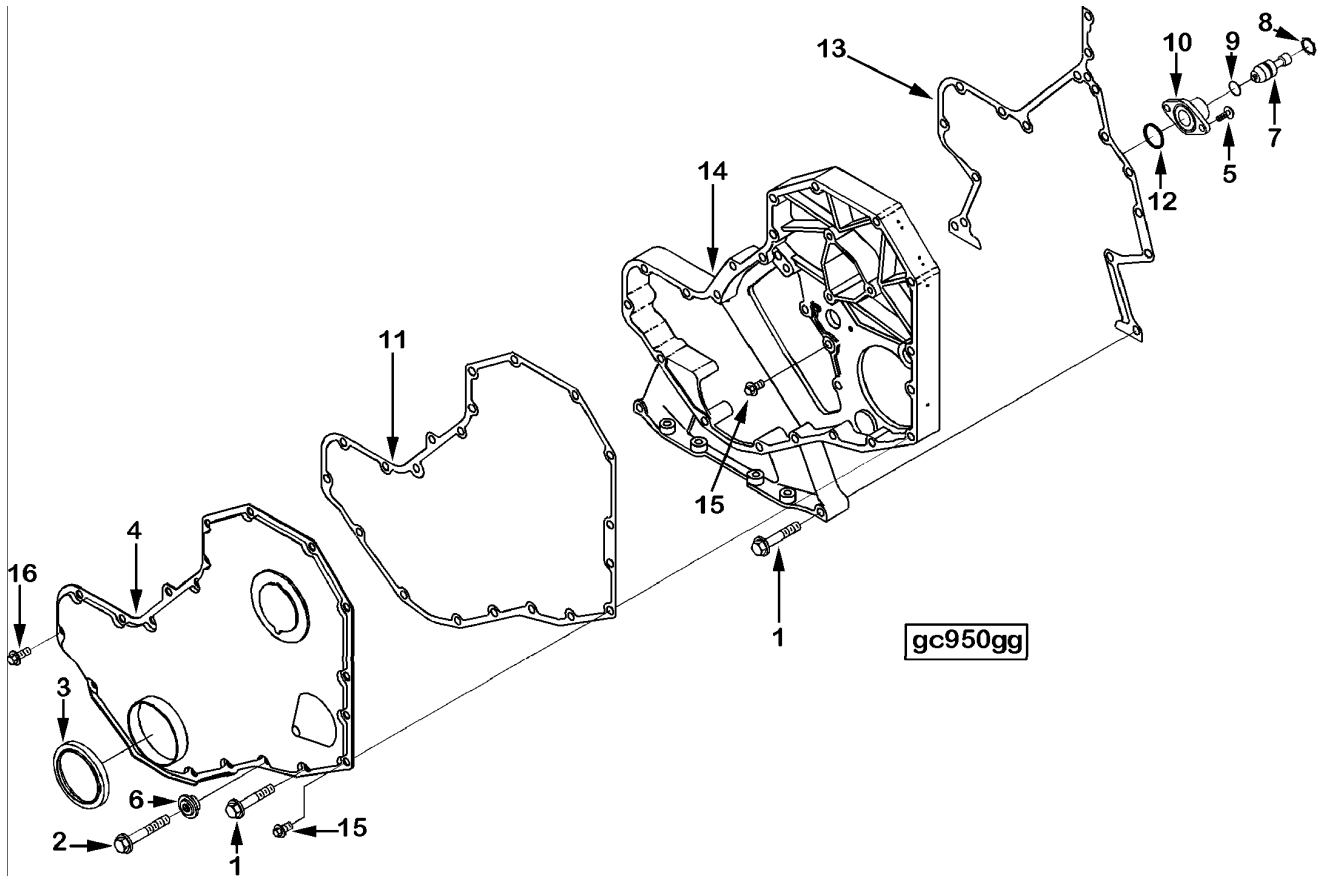
The Lube Oil part number 3377363 is for Cummins Premium Blue 15W40 oil supplied in one gallon plastic jugs.



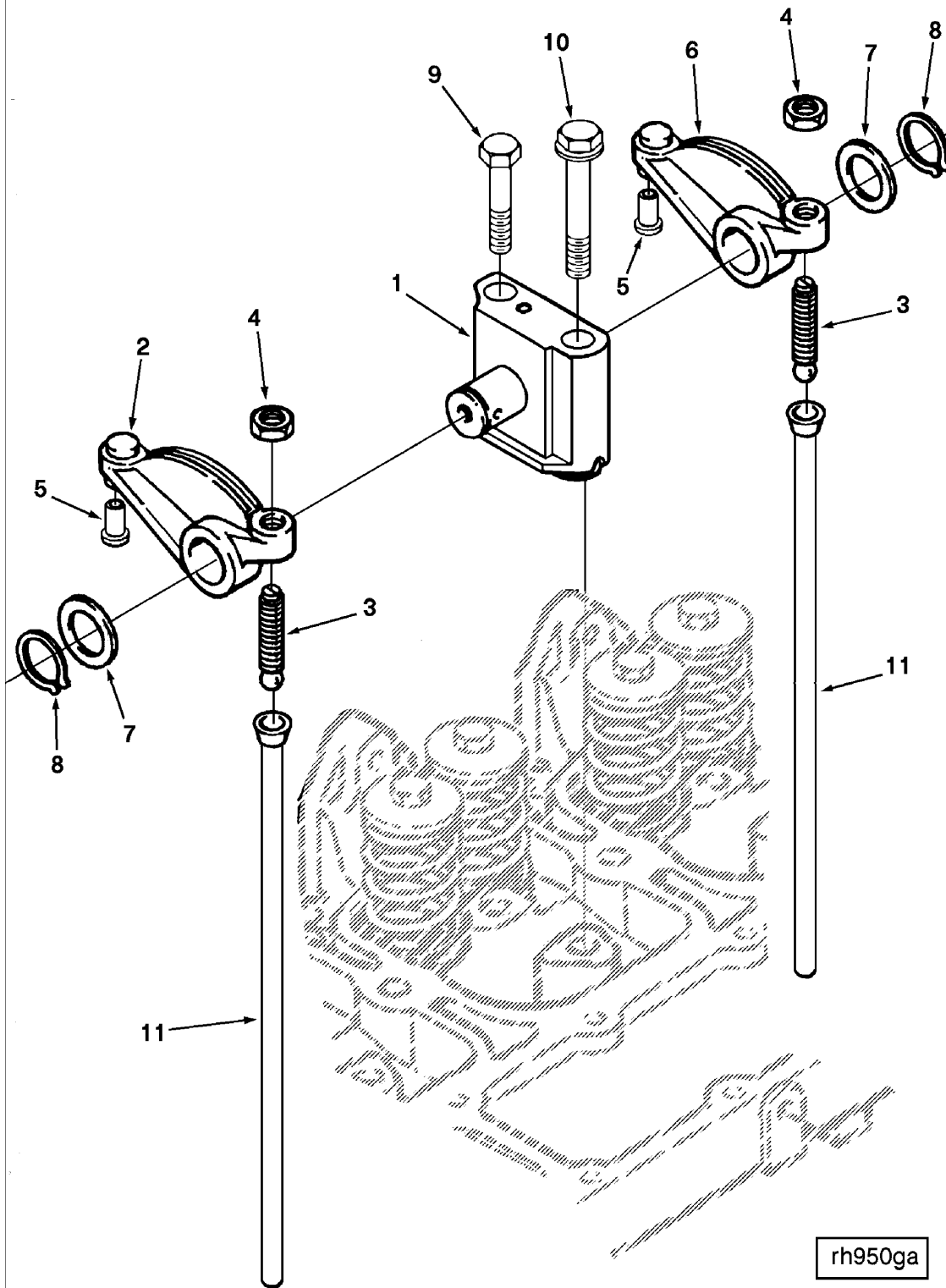
REF NO	PART NUMBER	PART NAME	REQ	REMARKS
	AC9073	Air Cleaner	1	Cleaner, Air Number of Cylinders: 6 Duty Rating: Heavy Aspiration: Turbocharged Outlet Diameter MM: 104.6 Mounting Location: Rear of engine Cleaner Manufacturer: Donaldson Environmental Use: Indoors Element Disposition: Disposable Mounted or Kit: Mounted
1	S-626	Washer, Plain	2	5/16 inch
2	125740	Clamp, T Bolt	1	4 1/2 inch
3	135144	Clamp, T Bolt	1	3 1/2 inch
4	3900240	Nut, Regular Hexagon	2	M8 x 1.25
5	3904060	Hose, Hump	1	
6	3915066	Cleaner, Air	1	
7	3915067	Strap, Air Cleaner	1	
8	3915068	Cap, Rain	1	
9	3925883	Screw, Hex Flange Head Cap	2	M8 x 1.25 x 16



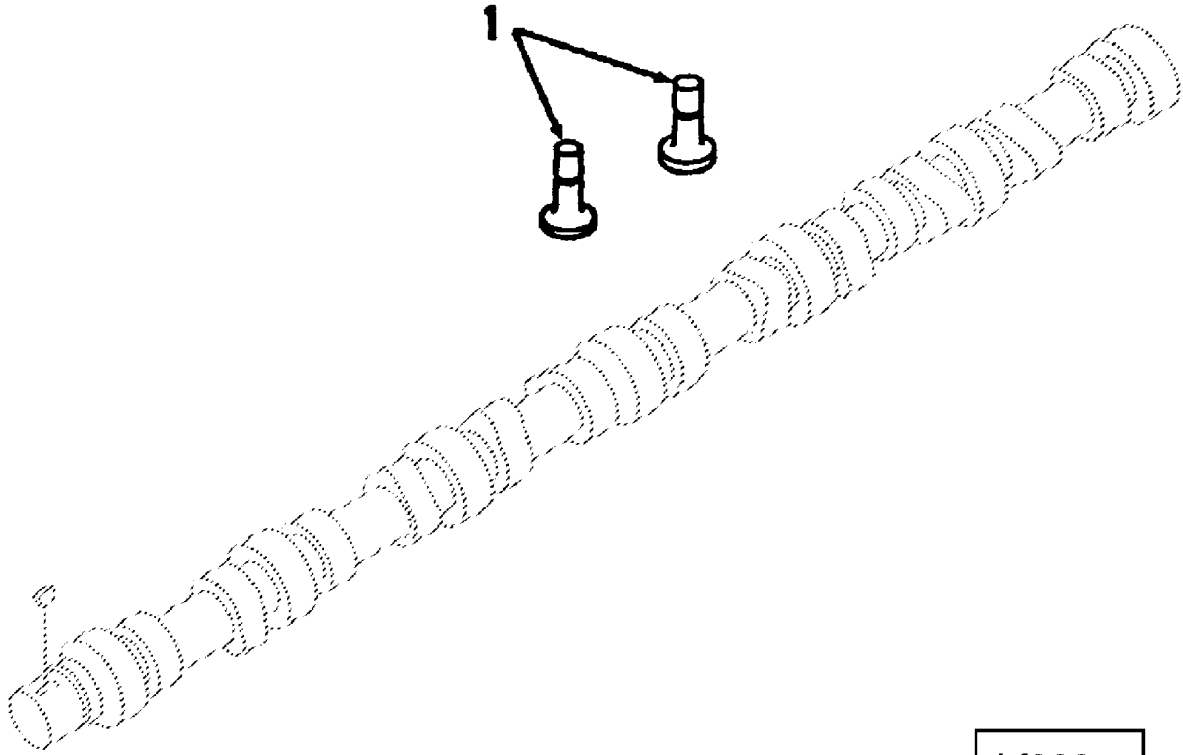
REF NO	PART NUMBER	PART NAME	REQ	REMARKS
	AP9046	Dataplate	1	Fire Pump Certification Certification Agency: FM (Factory Mutual) UL (Underwriters Laboratories) Engine Family: B Series Certification Status: Approved/Listed Application: Fire Pump Unique Characteristics: 208 BHP @ 2100 RPM/182 BHP @ 1760 RPM Structure Code: 02 EBM Fuel Pump Dataplate to be applied to the fuel pump side of the instrument panel. 3918890 and 3918891 speed switch dataplates to be supplied loose.
1	3915072	Dataplate	1	
2	3918890	Dataplate	1	
3	3918891	Dataplate	1	



REF NO	PART NUMBER	PART NAME	REQ	REMARKS
	BP9703	Front Gear Cover	1	Front Gear Cover Family: B Series Belt Retainer Included: Yes Noise Dampening Panel Provision: No Access for Tach Drive: Yes Gear Housing Material: Cast Aluminum Fuel Pump Mounted Angle: 35 Degree ADDL. Clearance for ENG. Mount: No Compatible w/Oil Pan Corner Stiffener: No Engine Design Phase: Current Product Fuel Pump: Bosch VE Bosch VP14 CAV DPA CAV DPS Stanadyne DB3 Stanadyne DB4 DEP may use 3920518 in place of 3920758. DEP may omit 3912772 belt retainer and 3901446 capscrew and add 3900633 capscrew.
1	3900633	Screw, Hex Flange Head Cap	10	M8 x 1.25 x 50
2	3901446	Screw, Hex Flange Head Cap	1	M8 x 1.25 x 60
3	(3904353)	Front Seal Service Kit	1	
4	3903794	Cover, Gear	1	
5	3907998	Screw, Round Head Cap	2	M5 x 0.80 x 17
6	3912772	Retainer, Belt	1	
	(3913995)	Housing, Timing Pin	1	
7	3903924	Pin, Timing	1	
8	3904849	Ring, Retaining	1	
9	3913994	Seal, O Ring	1	
10	3919683	Housing, Timing Pin	1	
11	3914385	Gasket, Gear Cover	1	
12	3915772	Seal, Rectangular Ring	1	
13	3931351	Gasket, Gear Housing	1	
14	3920758	Housing, Gear	1	
15	3924962	Screw, Hex Flange Head Cap	11	M8 x 1.25 x 16
16	3926846	Screw, Hex Flange Head Cap	5	M8 x 1.25 x 20



REF NO	PART NUMBER	PART NAME	REQ	REMARKS
	BP9710	Rocker Levers	1	Rocker Lever Engine Family: B Series Cylinders: 6 P/N 3910815 can be used in place of 3939420.
	3922488	Support, Rocker Lever	6	
1	(3911423)	Support, Rocker Lever	1	
	(3922487)	Shaft, Rocker Lever	1	
2	3910811	Lever, Rocker	6	
	(3910809)	Lever, Rocker	1	Intake
3	3934086	Screw, Rkr Lever Adjusting	1	
4	3927692	Nut, Heavy Hexagon	1	3/8 - 24 UNF
5	(3900705)	Insert, Rocker Lever	1	
6	3910810	Lever, Rocker	6	
	(3910808)	Lever, Rocker	1	Exhaust
3	3934086	Screw, Rkr Lever Adjusting	1	
4	3927692	Nut, Heavy Hexagon	1	3/8 - 24 UNF
5	(3900705)	Insert, Rocker Lever	1	
7	3900245	Washer, Plain	12	M19
8	3900242	Ring, Retaining	12	
9	3901221	Screw, Hexagon Head Cap	6	M8 x 1.25 x 75
10	3920781	Screw, Hex Flange Head Cap	6	
11	3284377	Rod, Push	12	



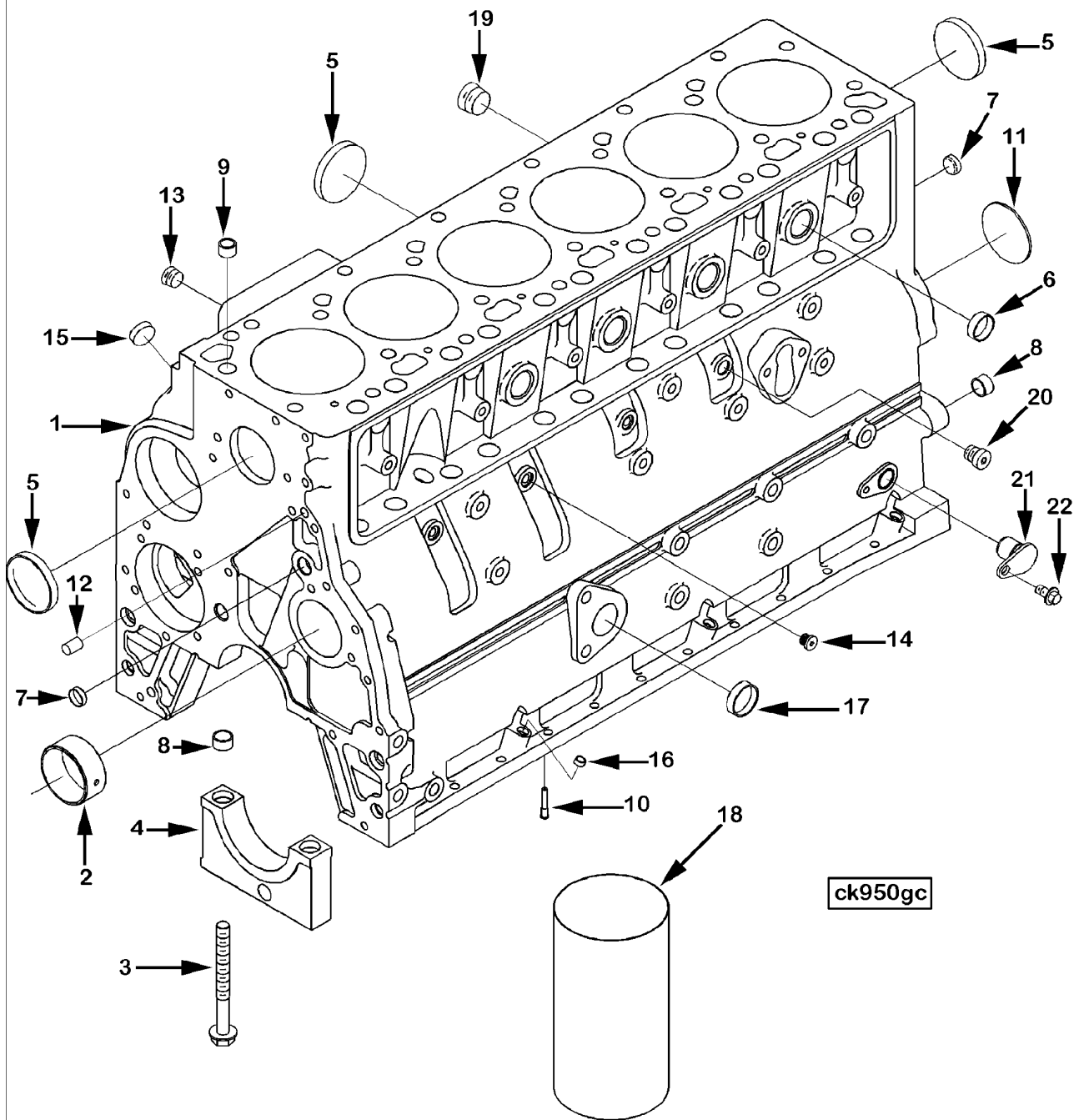
kf900ga

Group No. 04.01

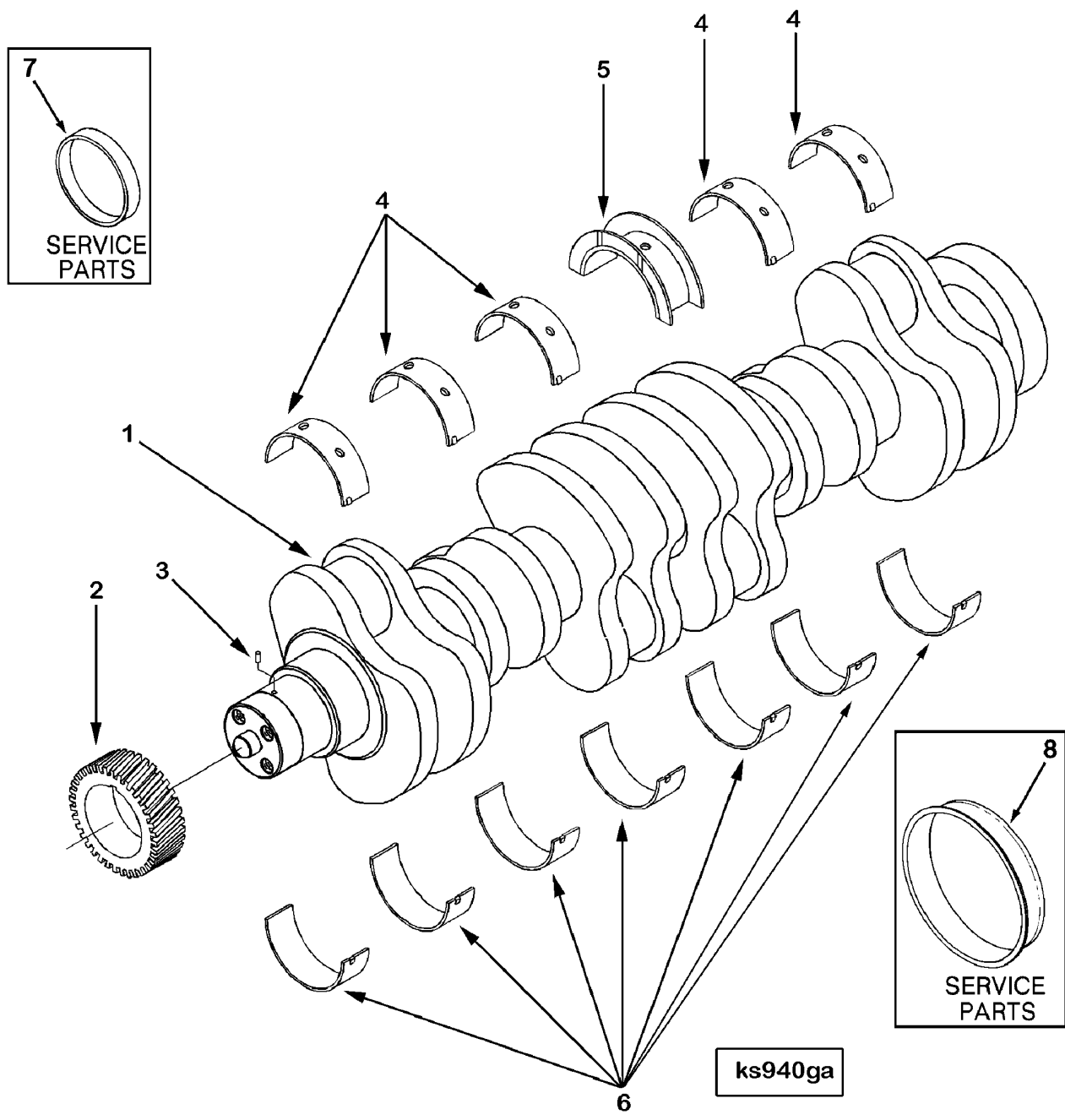
Valve-Tappet

Option No. BP9711-01

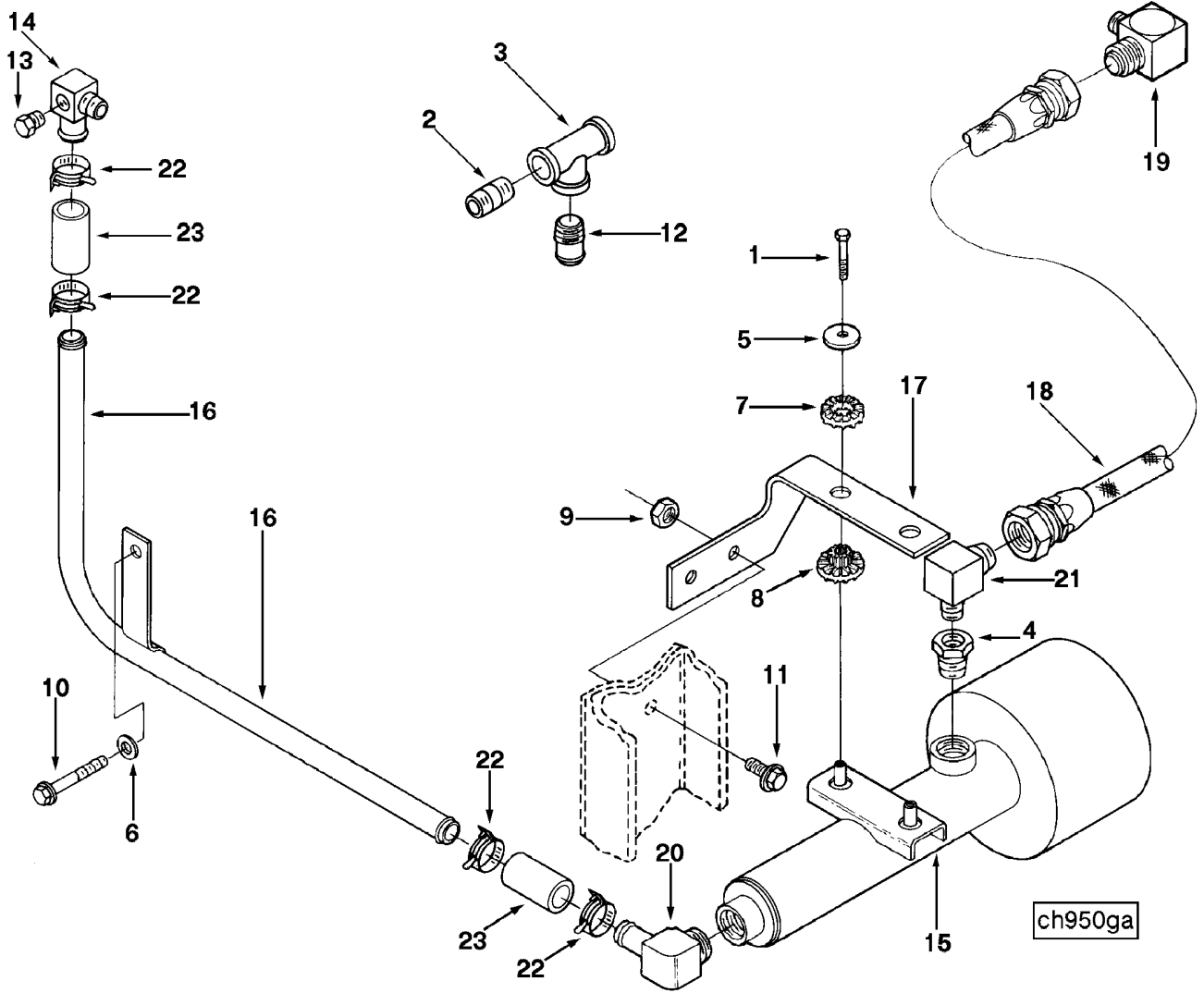
REF NO	PART NUMBER	PART NAME	REQ	REMARKS
	BP9711	Valve Tappet	1	Camfollower Cover Engine Family: B Series Cylinders: 6
1	3931623	Tappet, Valve	12	



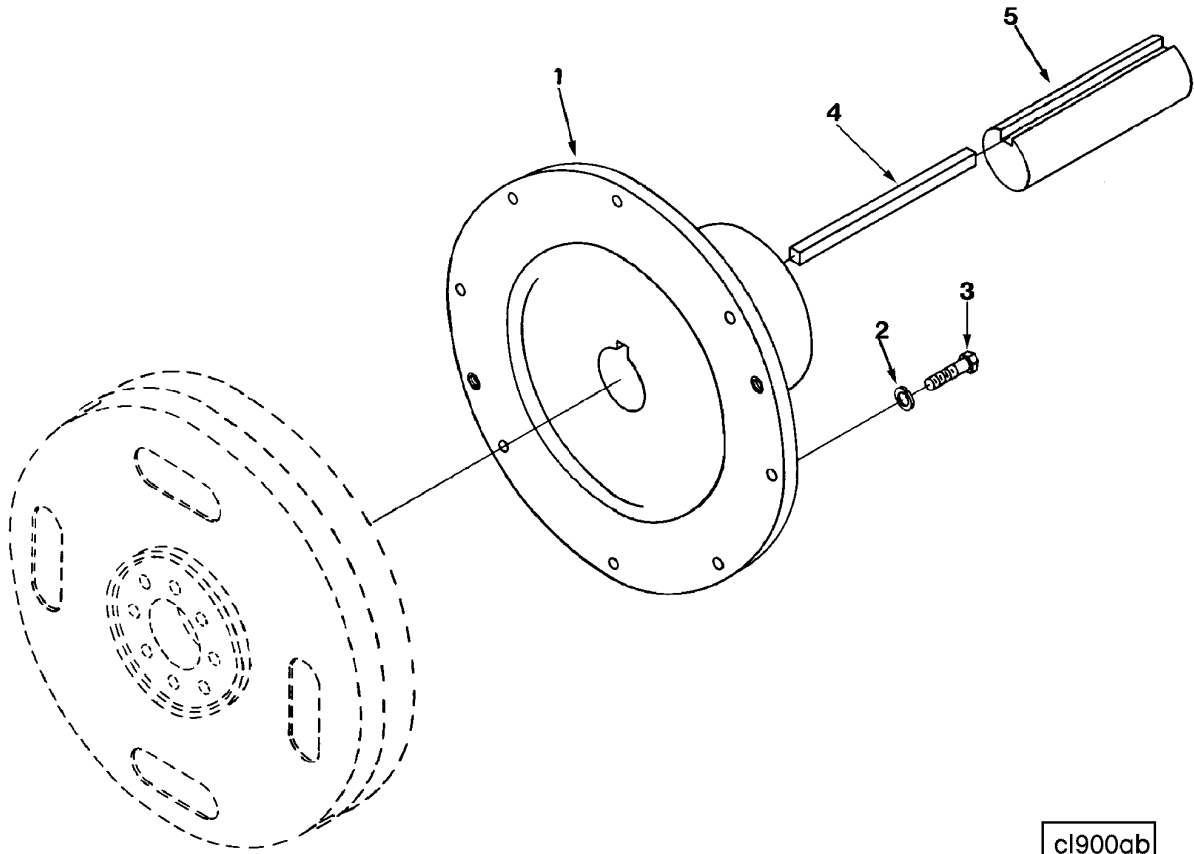
REF NO	PART NUMBER	PART NAME	REQ	REMARKS
	BP97158	Engine Block	1	Cylinder Block Engine: B Series Cylinders: 6 Aspiration: Jacket Water Aftercooled Fuel Type: Diesel Premium Block: Yes Tapped Fittings: STORM Structural Block: No Restricted Fuel Pump Mfg/ Model: Bosch A Bosch P3000 Bosch P7100 Expansion plug 3007635 may be used in place of 3910435. For use with Encore block in place of BP9863. CNS may use painted or unpainted blocks.
	3935932	Block, Cylinder	1	
1	(3935931)	Block, Cylinder	1	
2	3940059	Bushing	1	
3	3927948	Screw, Hex Flange Head Cap		
4	(3900967)	Cap, Main Bearing	7	
5	3922072	Plug, Expansion	5	
6	3914035	Plug, Expansion	4	
7	3900956	Plug, Expansion	3	
8	3900068	Dowel, Ring	14	
	3933220	Kit, Cyl Block Hardware		
9	3902343	Dowel, Ring	2	
10	3937214	Nozzle, Piston Cooling	6	
11	3900687	Plug, Expansion	1	
12	3900257	Dowel, Pin	2	
13	3008468	Plug, Pipe	1	1/2 NPT
14	3678923	Plug, Threaded	3	
15	3920706	Plug, Expansion	1	
8	3900068	Dowel, Ring	2	
16	3900955	Plug, Expansion	3	
17	3900958	Plug, Expansion	1	
19	3008469	Plug, Pipe	1	3/4 NPT
20	3678921	Plug, Threaded	1	M14 x 1.5
21	3932296	Plug, O Ring	1	
22	3900629	Screw, Hex Flange Head Cap	1	M8 x 1.25 x 16
		SERVICE PARTS		
2	3904369	Bushing	A/R	Oversize bushing for No. 1 bore
2	3903242	Bushing	A/R	Oversize bushing for No. 2-5 bore
4	(3900967)	Cap, Main Bearing	7	
18	3904166	Sleeve, Salvage	A/R	



REF NO	PART NUMBER	PART NAME	REQ	REMARKS
	BP97158	Crankshaft	1	
	3908032	Crankshaft, Assembly	1	
1	(3929037)	Crankshaft, Engine	1	
2	3929027	Gear, Crankshaft	1	
3	3904483	Dowel, Pin	1	
		MAIN BEARING SETS		
	3802070	Set, Main Brg (std)	1	Standard
4	(3929016)	Bearing, Main	6	
5	3926723	Bearing, Crankshaft Thrust	1	
6	(3929021)	Bearing, Main	7	
	3802071	Set, Main Brg (.010)	1	0.25mm Oversize
4	(3929017)	Bearing, Main	6	
5	(3283065)	Bearing, Crankshaft Thrust	1	
6	(3929022)	Bearing, Main	7	
	3802072	Set, Main Brg (.020)	1	0.50mm Oversize
4	(3929018)	Bearing, Main	6	
5	(3283066)	Bearing, Crankshaft Thrust	1	
6	(3929023)	Bearing, Main	7	
	3802073	Set, Main Brg (.030)	1	0.75mm Oversize
4	(3929019)	Bearing, Main	6	
5	(3283067)	Bearing, Crankshaft Thrust	1	
6	(3929024)	Bearing, Main	7	
	3802074	Set, Main Brg (.040)	1	1.00mm Oversize
4	(3929020)	Bearing, Main	6	
5	(3283068)	Bearing, Crankshaft Thrust	1	
6	(3929025)	Bearing, Main	7	
	3800330	Bearing, Crankshaft Thrust	1	.5mm Oversize Bore/.5mm Oversize Thrust
5	(3283063)	Bearing, Crankshaft Thrust	1	
6	(3929023)	Bearing, Main	1	
	3800331	Bearing, Crankshaft Thrust	1	1.0mm Oversize Bore/1.0mm Oversize Thrust
5	(3283064)	Bearing, Crankshaft Thrust	1	
6	(3929025)	Bearing, Main	1	
		SERVICE PARTS		
7	3802820	Kit, Seal	1	Front
8	3926126	Kit, Seal	1	Rear

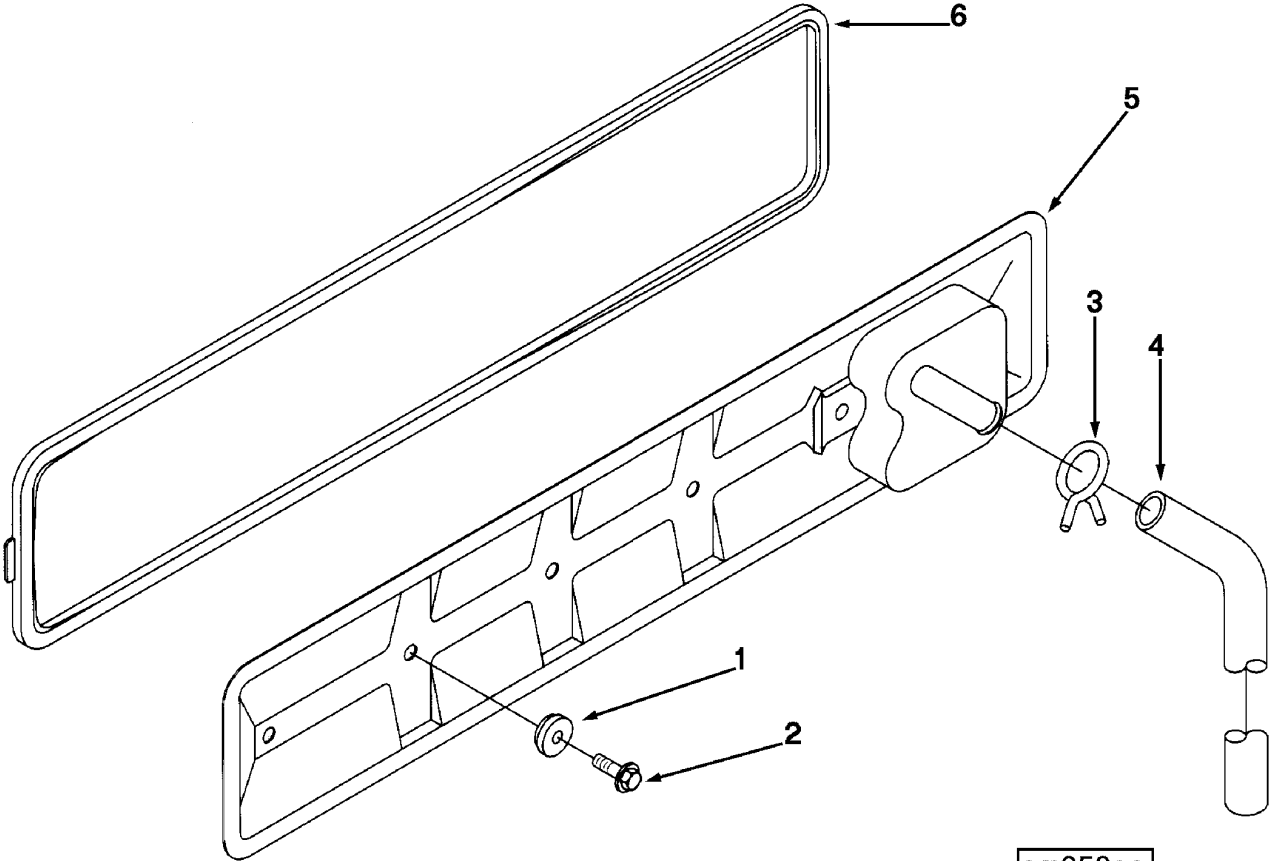


REF NO	PART NUMBER	PART NAME	REQ	REMARKS
	CH9014	Coolant Heater	1	Coolant Heater Engine Family: B Series Volt: 120 Watt: 1000 Plug Type: By-Pass Operation Type: Automatic Supply Method: Mounted Cord Provision: No Controlled Temp Range: 120/100 F
1	109144	Screw, Hexagon Head Cap	2	1/4-20 x 1 inch
2	S-920	Nipple, Plain Pipe	1	1/2 NPTF
3	S-960	Tee, Female Pipe	1	3 x 1/2 NPTF
4	S-982	Bushing, Reducing Pipe	1	3/4 NPTF(Ext) x 1/2 NPTF(Int) (Int)
5	204991	Washer, Plain	2	
6	3035083	Isolator, Vibration	2	
7	3035084	Isolator, Vibration	2	
8	3044360	Nut, Regular Hexagon	2	M10 x 1.50
9	3901446	Screw, Hex Flange Head Cap	1	M8 x 1.25 x 60
10	3903112	Screw, Hex Flange Head Cap	2	M10 x 1.50 x 30
11	3907167	Coupling, Plain Hose	1	
12	3906619	Plug, Pipe	1	1/8 NPT
13	3908221	Coupling, Elbow Hose	1	
14	3911836	Heater, Engine	1	
15	3911841	Tube, Water Transfer	1	
16	3911845	Bracket, Engine Heater	1	
17	3911876	Hose, Flexible	1	
18	3911879	Elbow, Male Adapter	1	
19	3911880	Coupling, Elbow Hose	1	
20	3911887	Elbow, Male Adapter	1	
21	3918163	Clamp, Hose	4	
22	3918611	Hose, Plain	2	



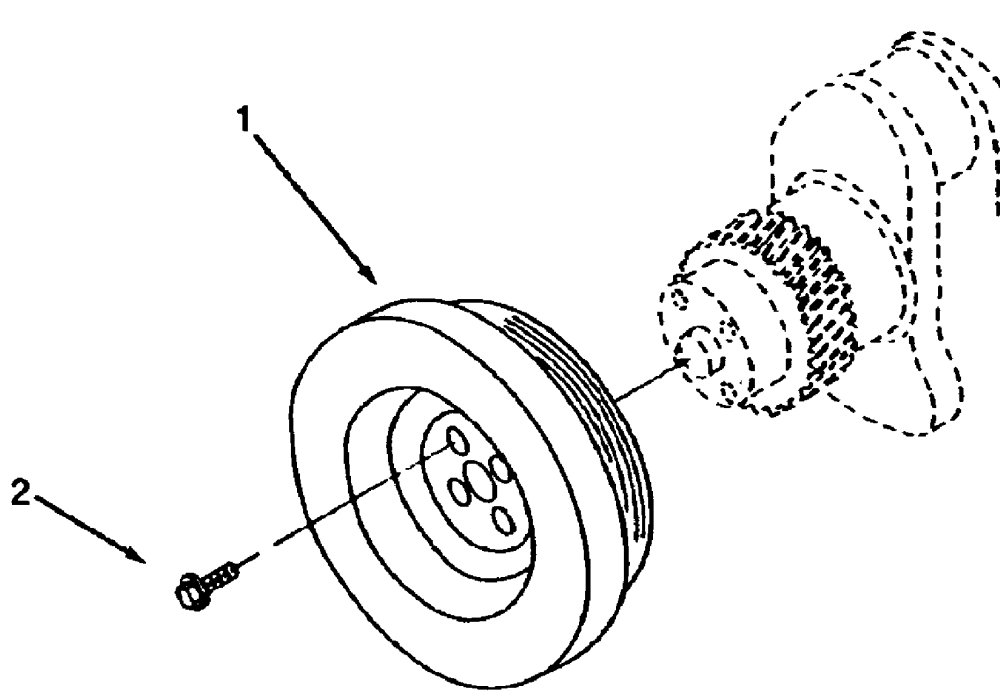
cl900gb

REF NO	PART NUMBER	PART NAME	REQ	REMARKS
	CL9003	Rear Stub Shaft	1	Stub, Shaft Stub Shaft Length: 122 MM FH SAE Size: 3 RPM Limitation: 3900 Torque Limiet #FT: 10.6 Pilot Bearing Bore: 57.02MM
	3031359	Flange, Power Takeoff	1	
1	650722	Flange, Power Takeoff	1	
4	555144	Key, Flange To Stubshaft	1	
5	61238-W	Shaft, Stub	1	
2	S-604	Washer, Lock	8	3/8 inch
3	108707	Screw, Hexagon Head Cap	8	3/8 - 16 x 1 1/2 inch



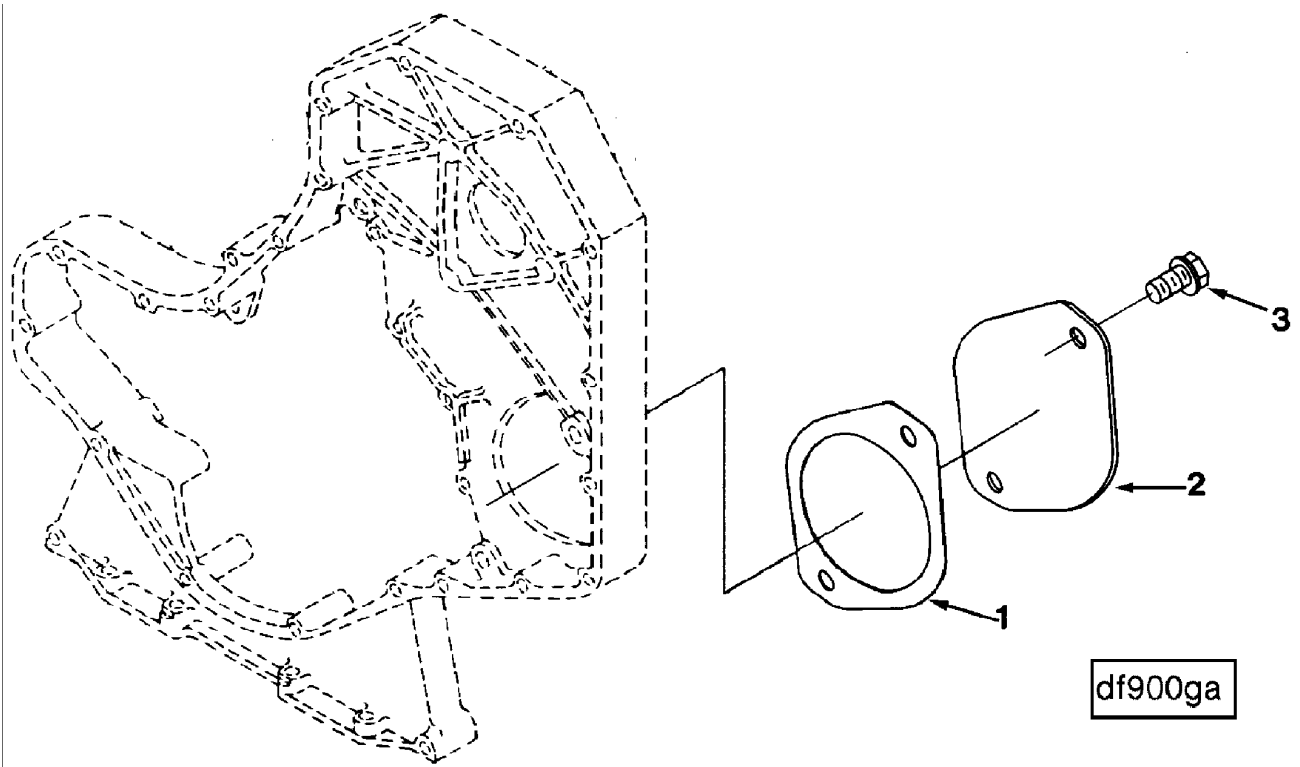
cm950gc

REF NO	PART NUMBER	PART NAME	REQ	REMARKS
	CM9016	Cam Follower Cover	1	Cam Follower Cover Structure Code: 02 EBM Engine Family: B Series Engine Cylinders: 6 Hose Angle Off Breather (Deg) : 45 Hose Location On Baffle: Top Noise Panel Provision: No Double Baffle: No Baffle Location On Engine: #5 Cylinder Hose and Clamp Provided: Yes Drain Hose Length (MM): 435 Fuel Pump Type: Inline Breather baffle fabricated part of cover. Remaining mounting parts to be found in fuel tubing (FT) option.
1	3928759	Seal, Grommet	4	
2	3900629	Screw, Hex Flange Head Cap	4	M8 x 1.25 x 16
3	3904230	Clamp, Spring Hose	1	1 inch ID
4	3918614	Hose, Plain	1	
5	3927913	Cover, Push Rod	1	
6	3928832	Gasket, Push Rod Cover	1	

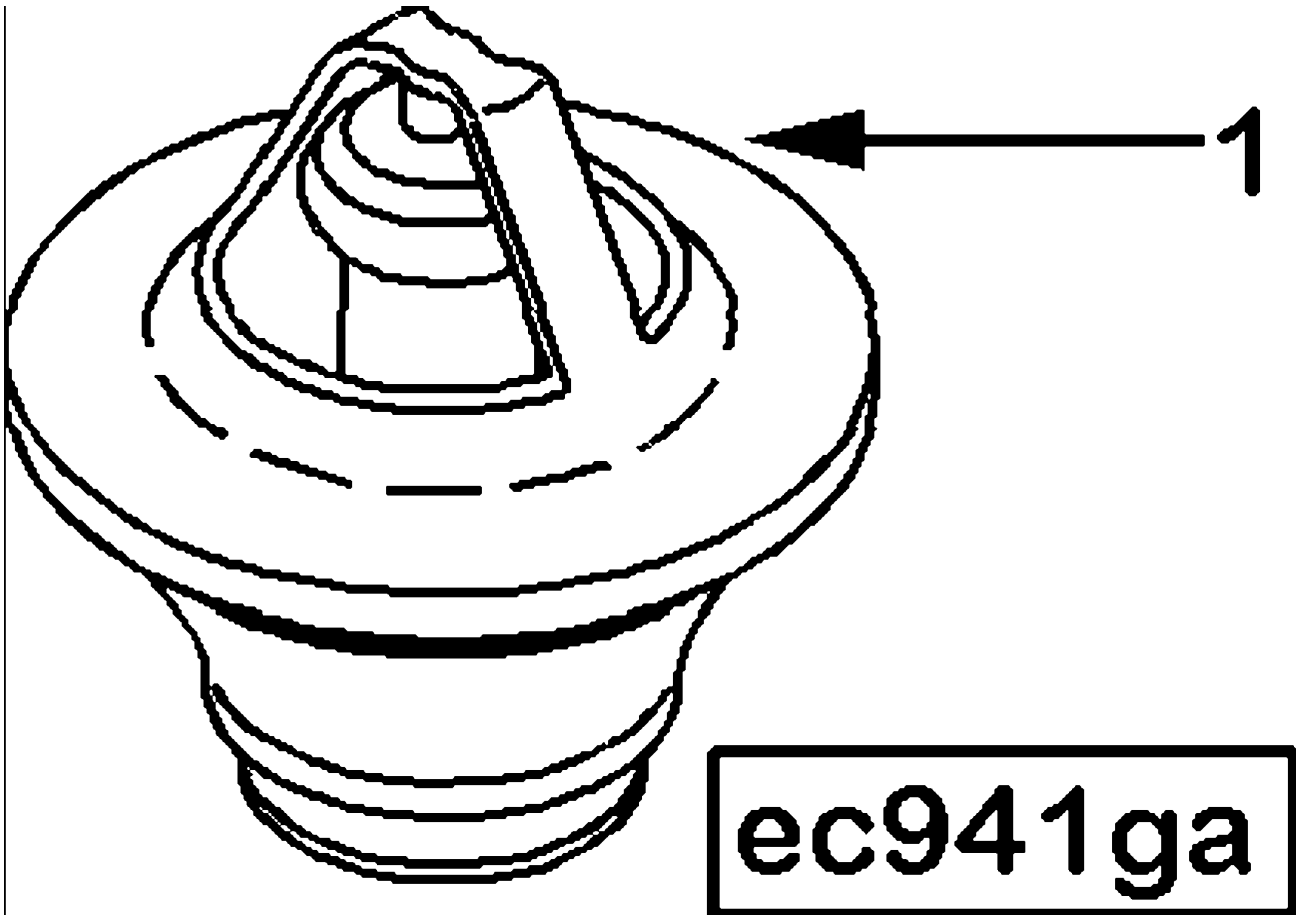


da900gi

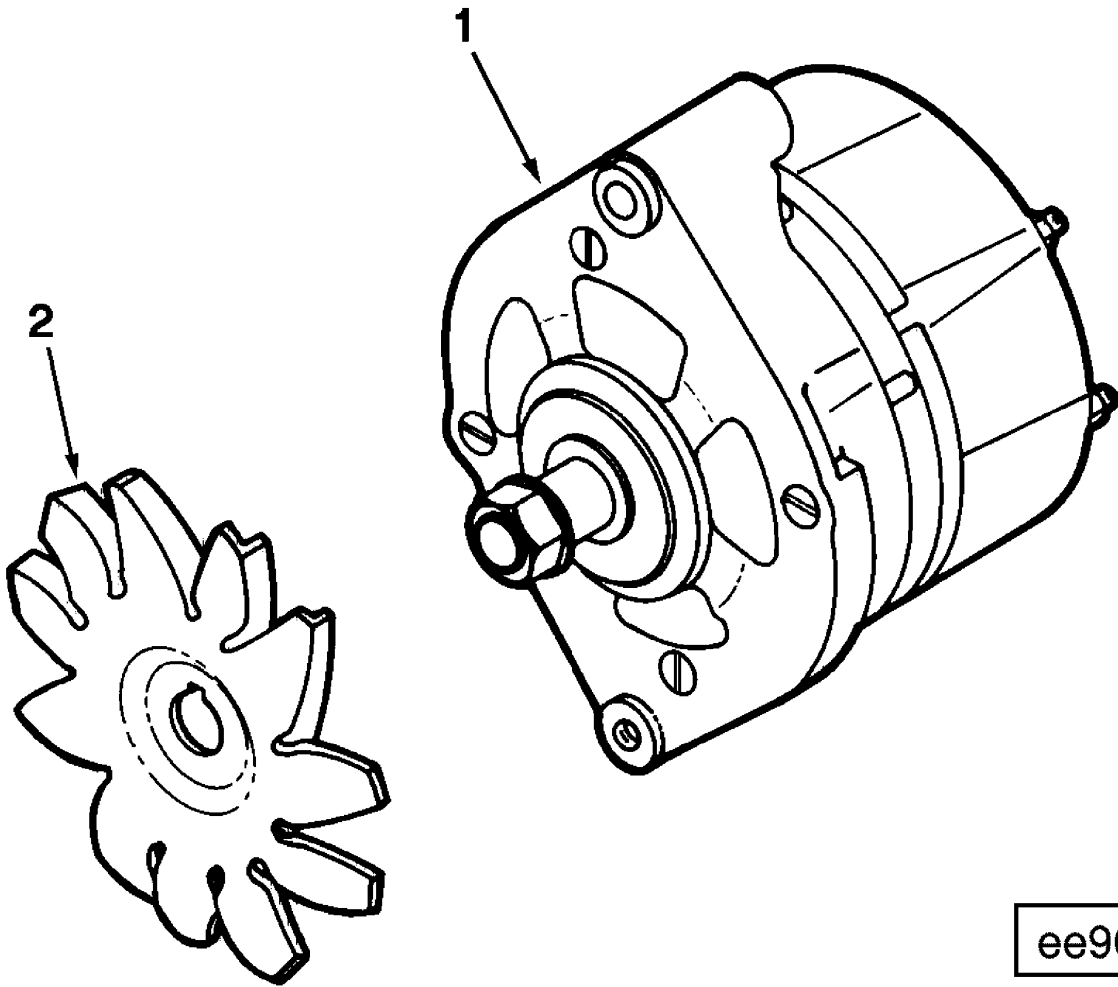
REF NO	PART NUMBER	PART NAME	REQ	REMARKS
	DA9026	Vibration Damper	1	Vibration Damper Engine Family: B Series Damper Pulley Effective Diameter (mm): 173.76 Damper Diameter (mm): 209.00 Damper RPM Limitation: 2650 and below Damper Type: Rubber Pulley Type: Cast 8 groove Front PTO Provision: No Tach Pick-up Provision: No High Inertia Damper: No Structure Code: 02 EBM Additional Pulley Provision: None.
1	(3914454)	Damper, Vibration	1	
2	3903857	Screw, Hex Flange Head Cap	4	M12 x 1.25 x 36



REF NO	PART NUMBER	PART NAME	REQ	REMARKS
	DF9051	Front Gear Train Accessory	1	Front Gear Train Accessory Drive Cover Plate Provided: Yes Engine Family: B Series To be selected when there is no air compressor, raw water pump or gear driven vacuum pump selected.
1	3929751	Gasket, Acc Drive Cover	1	
2	3914868	Plate, Cover	1	
3	3901249	Screw, Hex Flange Head Cap	2	M12 x 1.75 x 25

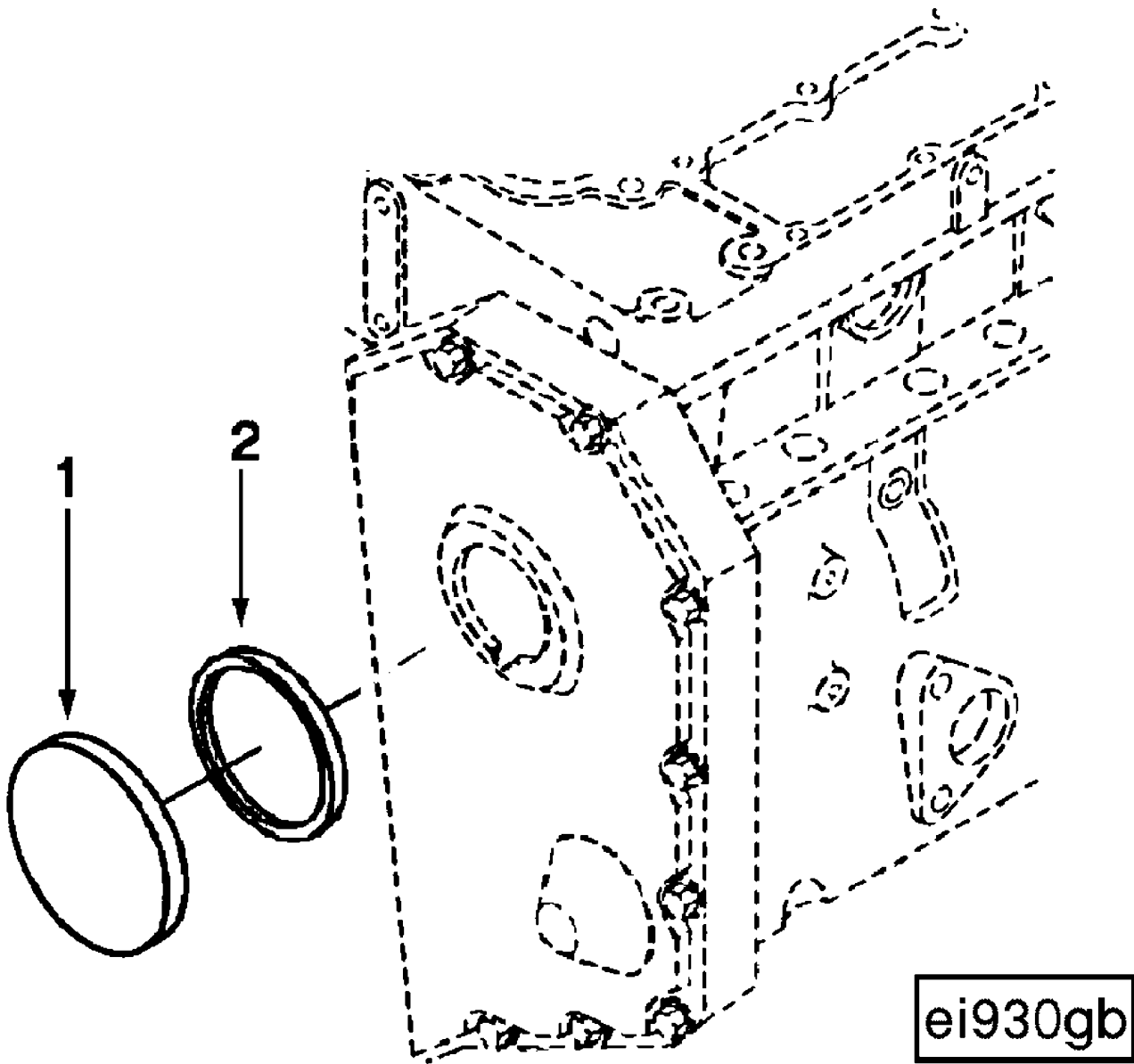


REF NO	PART NUMBER	PART NAME	REQ	REMARKS
	EC9001	Thermostat	1	Thermostat Degree C Thermostat Opens: 83 C # of Thermostats: 1 Thermostat Type: Jiggle-Pin Vented Non-Vented: Vented Requires By-Pass Housing: No Engine Family: B Series Required Housing Bore Dia. (mm): 54.10
1	3802968	Thermostat	1	

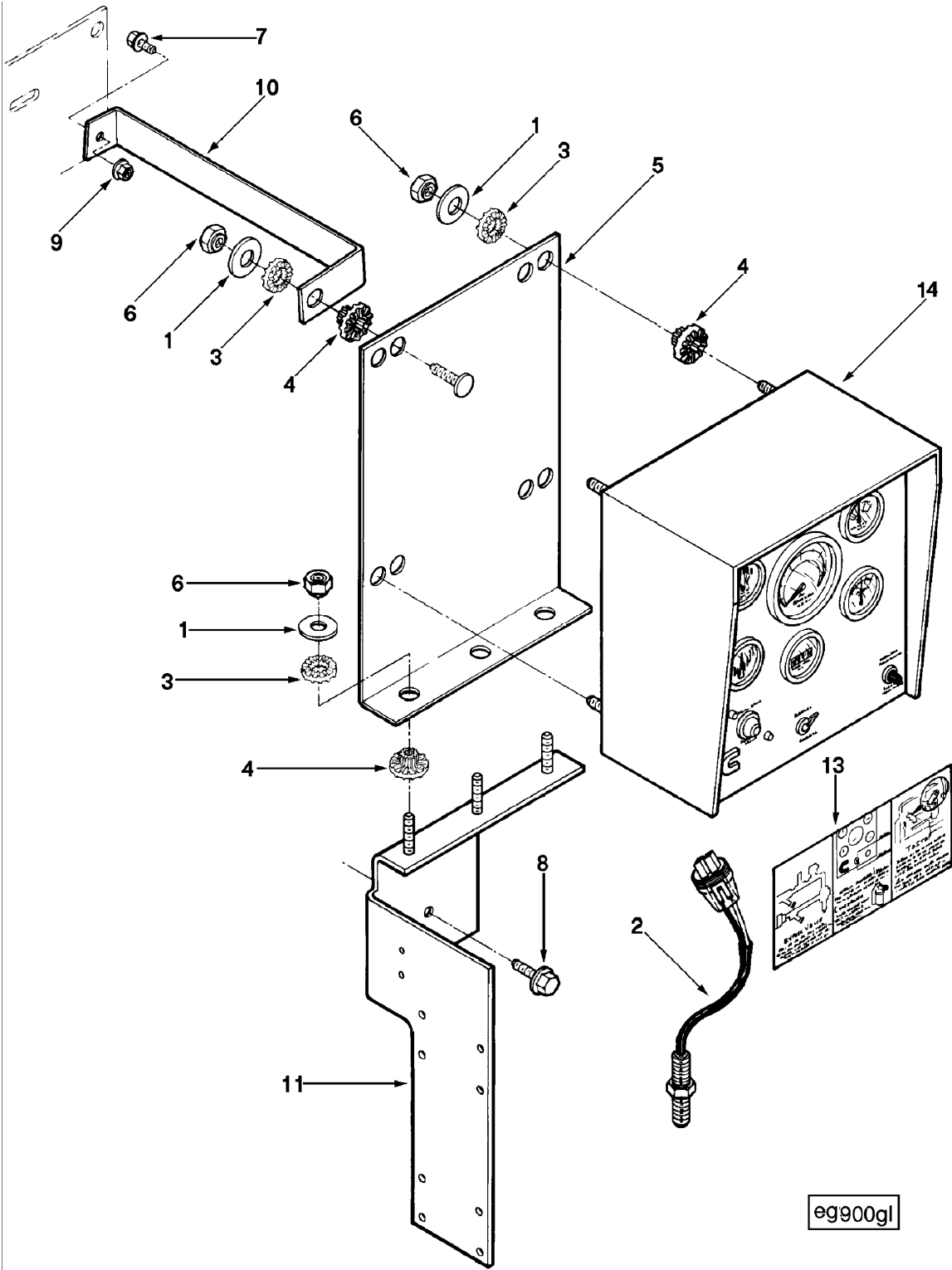


ee900gj

REF NO	PART NUMBER	PART NAME	REQ	REMARKS
	EE9051	Alternator	1	Alternator Alternator Manufacturer/Model: Bosch K-1 Voltage: 12 Amperage: 65.01 Functions W/Horizontal Oil Filter: Yes Alternator Body Length (mm): 128 Design Phase: Current Product Engine Family: B Series B Series C Series
1	3920679	Alternator	1	
2	3904981	Fan, Alternator	1	

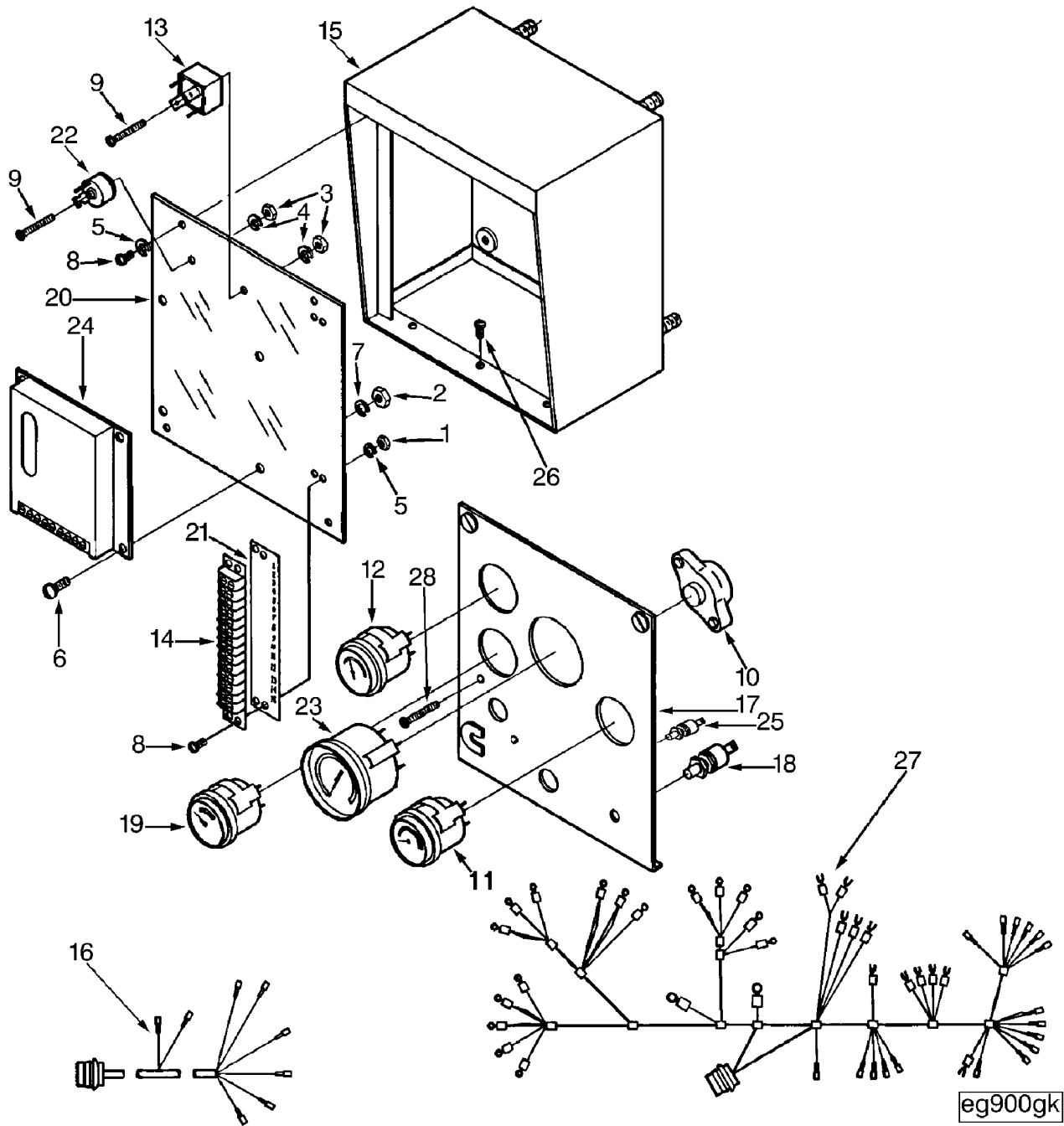


REF NO	PART NUMBER	PART NAME	REQ	REMARKS
	EI9000	Mechanical Tachometer Driv	1	No content options. To provide accessory hole cover when no mechanical tach drive or front oil fill is specified.
1	3903463	Cover, Access Hole	1	
2	3903475	Seal, Rectangular Ring	1	



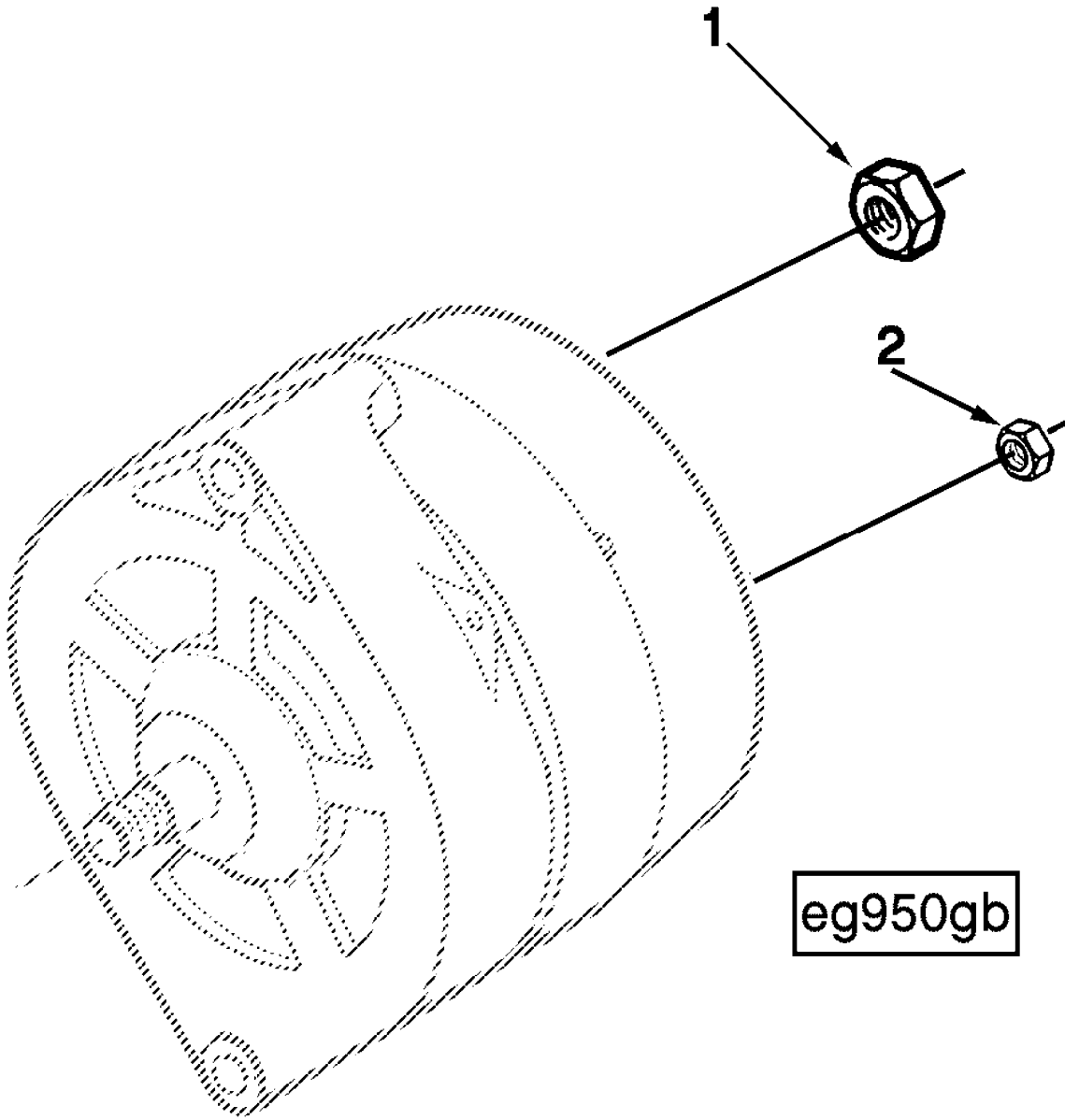
eg900gl

REF NO	PART NUMBER	PART NAME	REQ	REMARKS
	EG9052	Engine Instrument Panel	1	Panel, Engine Instrument Engine Cylinders: 6 Application: Fire Pump Voltage: 12 Tachometer Provided: Yes Tach Range: 0-2500 Hour Meter Provided: Yes Over Speed Switch Provided: Yes Oil Pressure Gauge Provided: Yes Oil Pressure Gauge Range: 0-125 PSI Coolant Temp Gauge Provided: Yes Coolant Temp Gauge Range: 66-121 C Ammeter/Volt Meter Provided: Yes Ammeter Range: 60-0-60 Start/Stop Switch Provided: Yes Start/Stop Switch Type: Button Fuel Shut Off Provided: Yes Wiring Harness Provided: No Wiring Diagram 3911868
1	3033800	Washer, Plain	8	
2	3039524	Pickup Magnetic	1	
3	3035083	Isolator, Vibration	8	
4	3035084	Isolator, Vibration	8	
5	3053012	Bracket, Instrument Panel	1	
6	3175239	Nut, Lock	8	
7	3903990	Screw, Hex Flange Head Cap	1	M10 x 1.50 x 20
8	3901249	Screw, Hex Flange Head Cap	2	M12 x 1.75 x 25
9	3278425	Nut, Regular Hexagon	1	M6 x 1.00
10	3911844	Brace, Instrument Panel	1	
11	3911846	Bracket, Instrument Panel	1	
13	3911889	Dataplate	1	
14	3920313	Panel, Instrument	1	
	3044360	Nut, Regular Hexagon	1	M10 x 1.50
	3911720	Nut, Regular Hexagon	1	M5 x 0.80
	67950	Clip	1	
	108722	Clip	1	

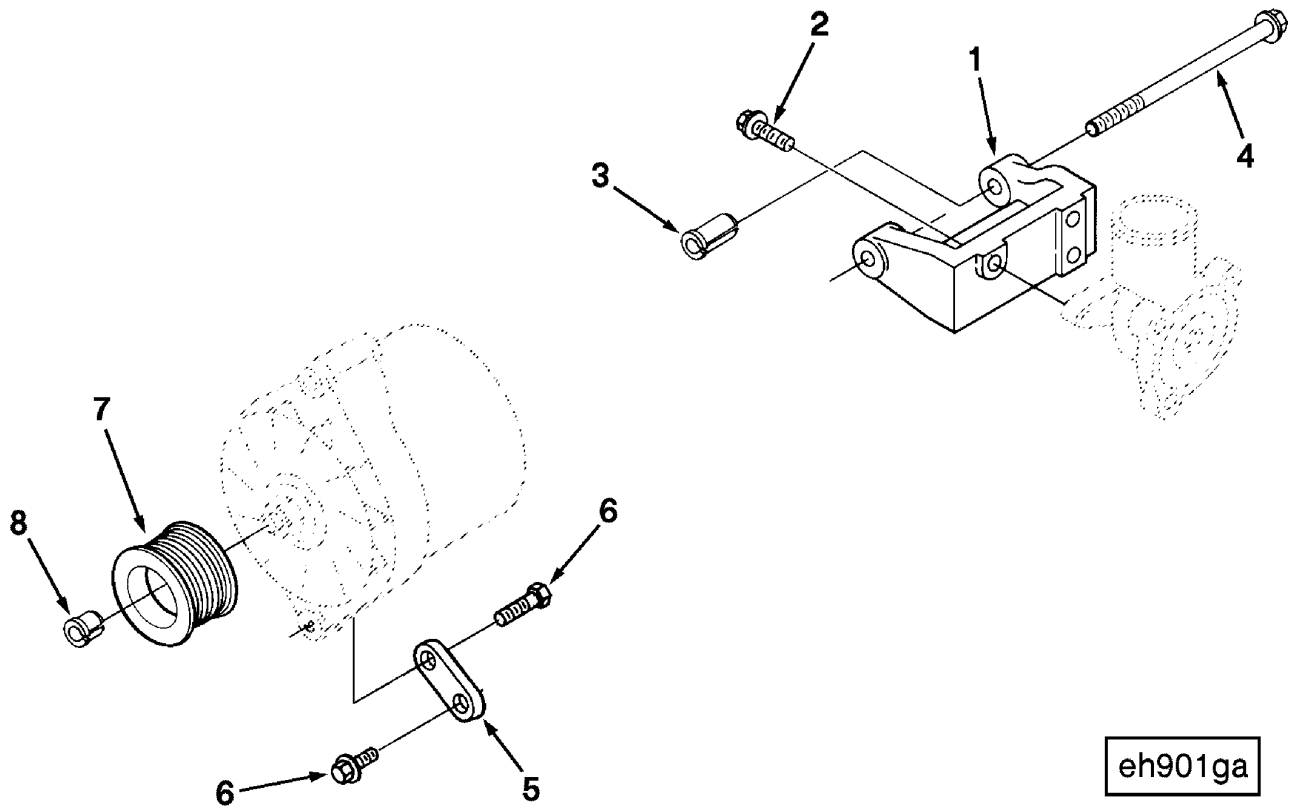


eg900gk

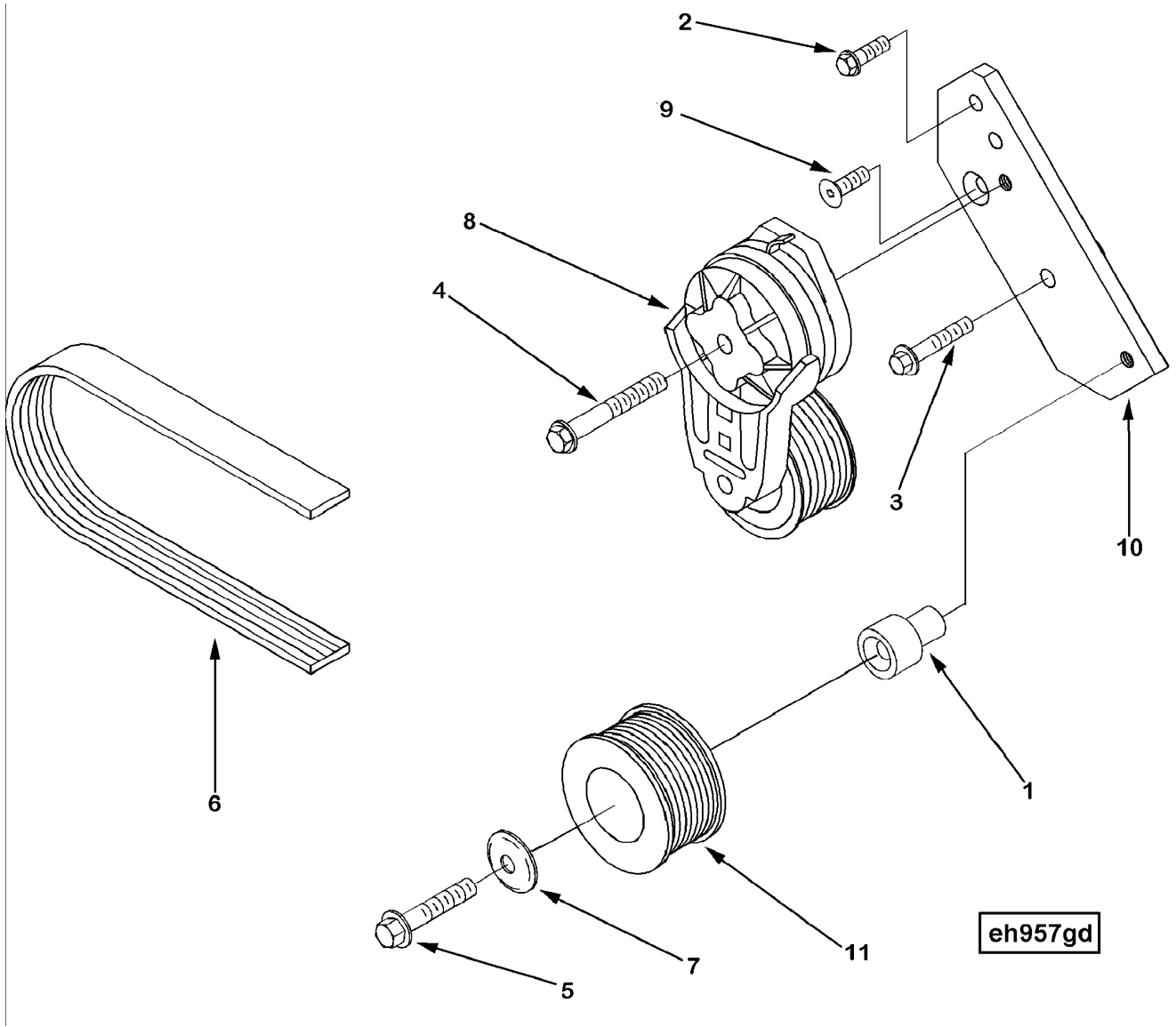
REF NO	PART NUMBER	PART NAME	REQ	REMARKS
	EG9052	(cont') Engine Instrument	1	
	3920313	Panel, Instrument	1	
1	S-215	Nut, Regular Hexagon	4	
2	S-256	Nut, Regular Hexagon	4	
3	S-259	Nut, Regular Hexagon	2	#10 - 24 UNC
4	S-607	Washer, Lock	2	#10
5	S-643	Washer, Lock	6	
6	101996	Screw, Pan Head Cap	4	
7	S-692	Washer, Plain	4	
8	127814	Screw, Pan Head Cap	8	
9	138764	Screw, Pan Head Cap	2	
10	196895	Breaker, Circuit	1	
11	3030871	Gauge, Pressure	1	
12	3030872	Gauge, Temperature	1	
13	3031643	Rectifier	1	
14	3036306	Block, Terminal	1	
15	3920322	Cabinet, Instrument	1	
16	3921385	Harness, Wiring	1	
17	3920321	Panel, Instrument	1	
18	3039569	Switch, Push Button	1	
19	3039570	Ammeter	1	
20	3039572	Panel, Back	1	
21	3043559	Decal	1	
22	3920870	Diode	1	
23	3049554	Hourmeter And Tachometer	1	
24	3050323	Speed Switch, Electronic	1	
25	3015058	Switch, Toggle	1	
26	3056060	Rivet	3	
27	3921386	Harness, Wiring	1	
28	3900224	Screw, Hexagon Head Cap	1	



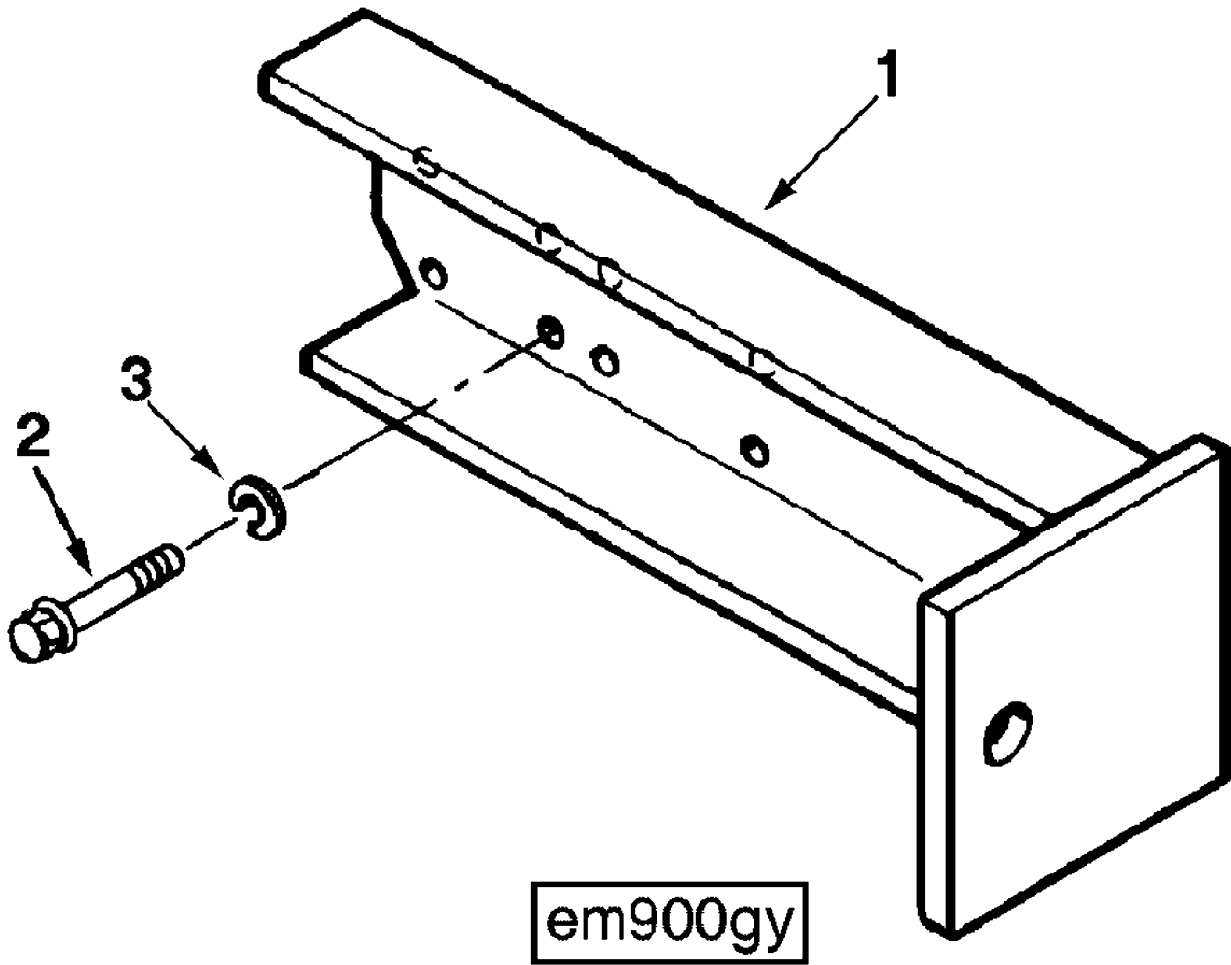
REF NO	PART NUMBER	PART NAME	REQ	REMARKS
	EG9701	Engine Wiring	1	For use with Bosch K.1 alternators used on B Marine Engines.
1	3900240	Nut, Regular Hexagon	1	M8 x 1.25
2	3911720	Nut, Regular Hexagon	1	M5 x 0.80



REF NO	PART NUMBER	PART NAME	REQ	REMARKS
	EH9001	Alternator Location	1	Alternator Location Engine Design Phase: Current Product Pulley Retainer Provided: Yes Alternator Pulley Provided: Yes Belt Supplier: Cummins Belt Tensioner Supplier: Cummins Alternator Drive Speed: 2.9 Alternator Mount Type: 2 Inch Spool Damper Pulley Effective Diameter (mm): 173.76 Alternator Driven by AUX Belt: No Required Tensioner Pulley Material: Steel Pad for Freon Compressor Provided: No Engine Family: B Series Alternator Manufacturer/Model: Bosch K-1 Lucas TVS/SA 23-12V Lucas TVS/SA 23-24V Required Water Pump Pulley Type: Hardened Standard Stud for Wiring Harness Attachment: No ALT Tail Support Required: No REF. Compressor MTG Hardware Included: No Tall Tensioner Bracket: No
1	3923387	Support, Alternator	1	
2	3900631	Screw, Hex Flange Head Cap	3	M8 x 1.25 x 25
3	3910715	Spacer, Mounting	1	
4	3908226	Screw, Hex Flange Head Cap	1	M10 x 1.50 x 95
5	3903089	Brace, Alternator	1	
6	3900630	Screw, Hex Flange Head Cap	2	M8 x 1.25 x 20
7	3908560	Pulley, Alternator	1	60mm dia
8	3908563	Retainer, Pulley	1	

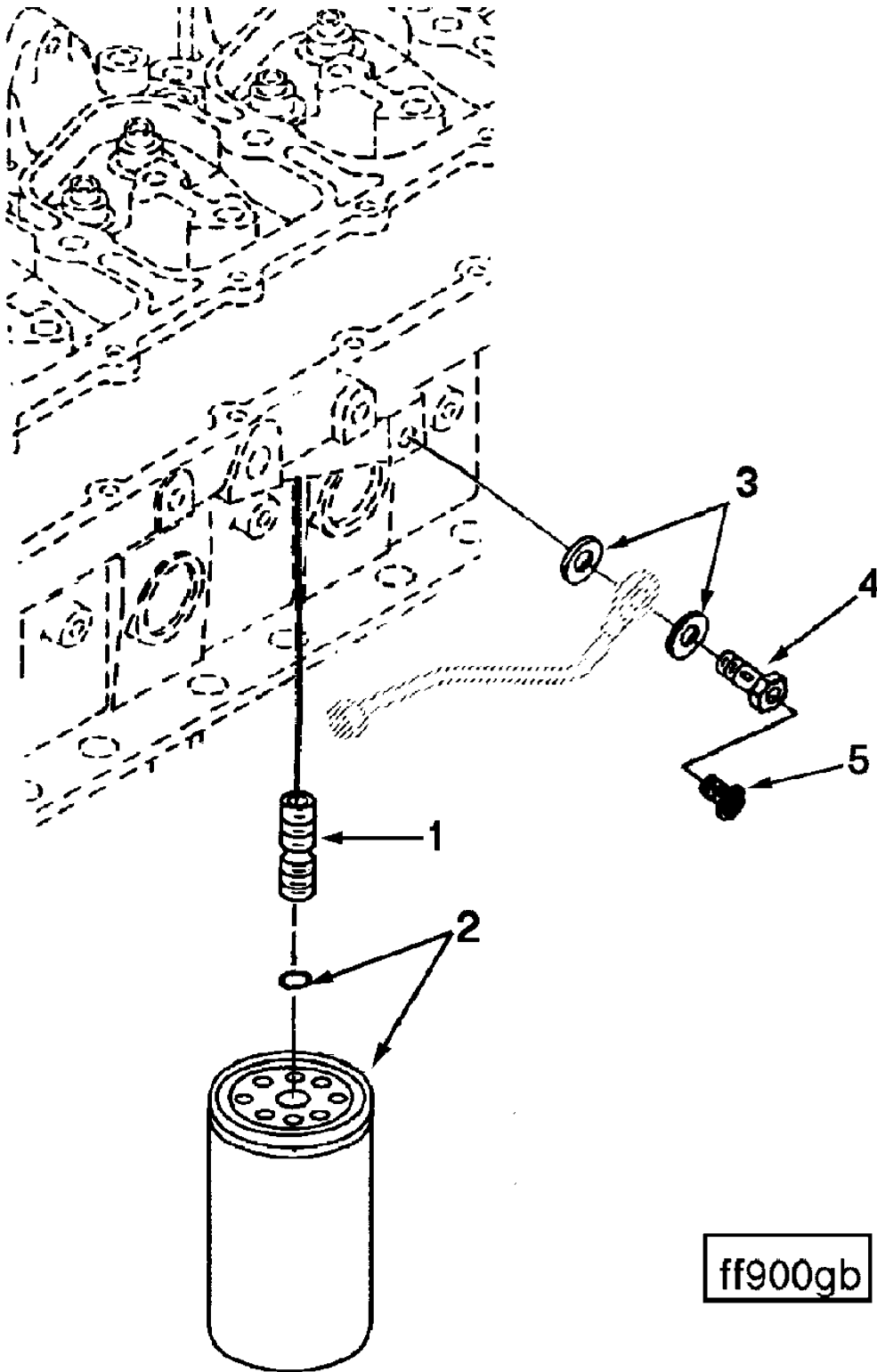


REF NO	PART NUMBER	PART NAME	REQ	REMARKS
	EH9993	Alternator Drive	1	Alternator Drive Tensioner Pulley Type: Standard Water Pump Pulley Diameter (MM): 88.00 Belt Supplier: Cummins Damper Pulley Effective Diameter (MM): 173.76 Structure Code: 02 EBM Engine Family: B Series Alternator Manufacturer/Model : Bosch K-1 Delco Remy 15 SI Delco Remy CS 130 DEP may substitute 3282081 Hex Flange Head Capscrew in place of 3904446.
1	3935229	Shaft, Idler	1	
2	3900631	Screw, Hex Flange Head Cap	1	M8 x 1.25 x 25
3	3901445	Screw, Hex Flange Head Cap	1	M8 x 1.25 x 45
4	3904446	Screw, Hex Flange Head Cap	1	M10 x 1.50 x 70
5	3900635	Screw, Hex Flange Head Cap	1	M10 x 1.50 x 60
6	3911587	Belt, V Ribbed	1	
7	3935013	Shield, Dust	1	
8	3936201	Tensioner, Belt	1	
9	3925186	Screw, Flat Head Cap	1	M8 x 1.25 x 25
10	3926056	Bracket, Belt Tensioner	1	
11	3935015	Pulley, Idler	1	



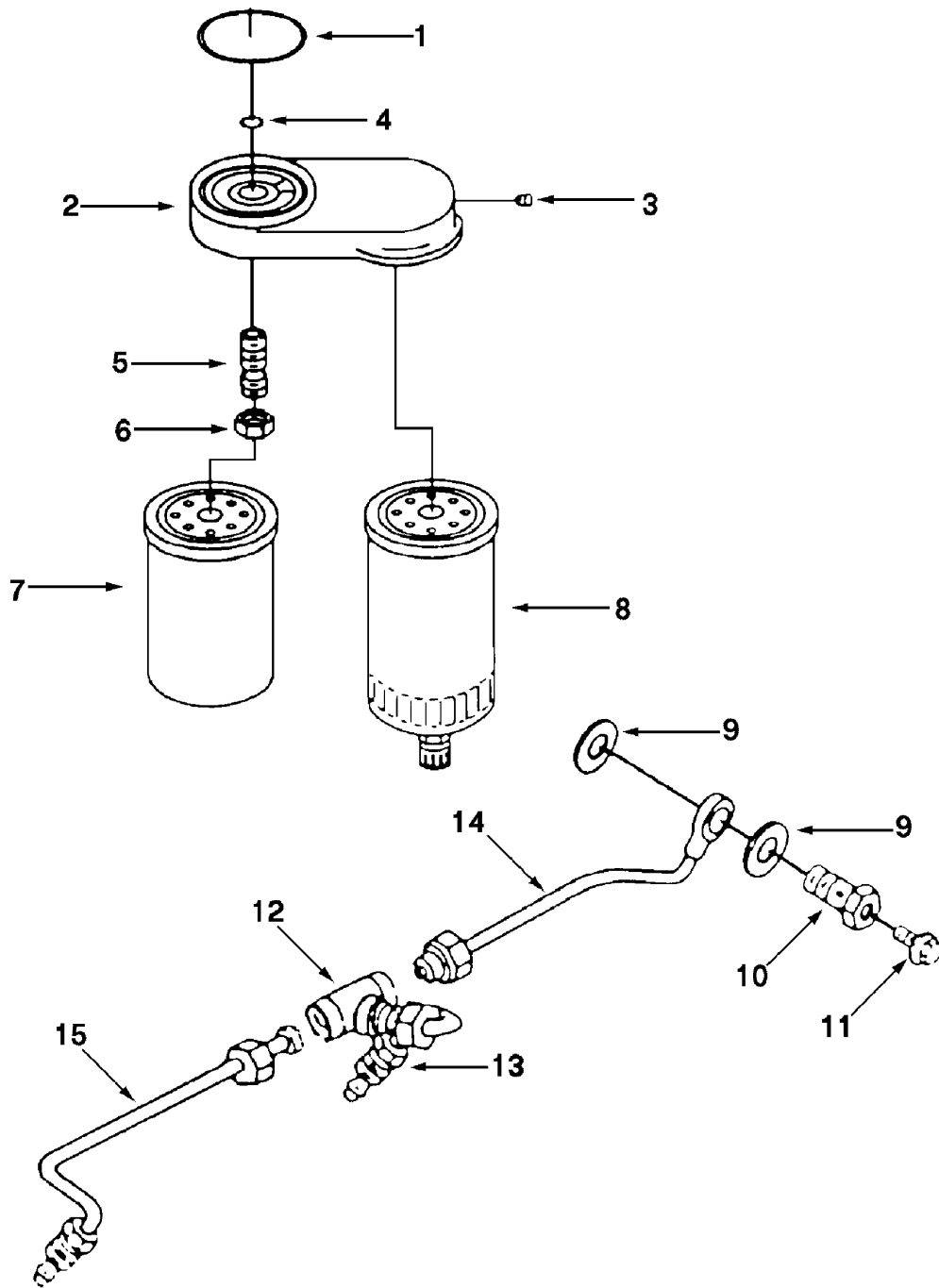
REF NO	PART NUMBER	PART NAME	REQ	REMARKS
	EM9027	Front Engine Support	1	Front Engine Support Structure Code: 02 EBM Engine Family: B Series Support Location: Front-side Mount Type: Double Threaded Mounting Holes: No Mounting Hole Size: 11.11r slot Maximum Damper Diameter (mm): 228.0 (8.98in) Mount Material: 30, 175 Isolator Load Rating (lbs): To Be Determined.
1	S-608	Washer, Lock	6	
2	3335059	Screw, Hexagon Head Cap	6	M12 x 1.75 x 30
3	3920717	Support, Front Engine	2	

REF NO	PART NUMBER	PART NAME	REQ	REMARKS
	FA9000	NC Fan Drive	1	Fan Drive Component Supplier: Customer Engine Family: B Series C Series No content option. Used as a pointer to select the proper belt arrangement to drive the alternator and water pump when the fan is Remote mounted or a crankshaft mounted fan.



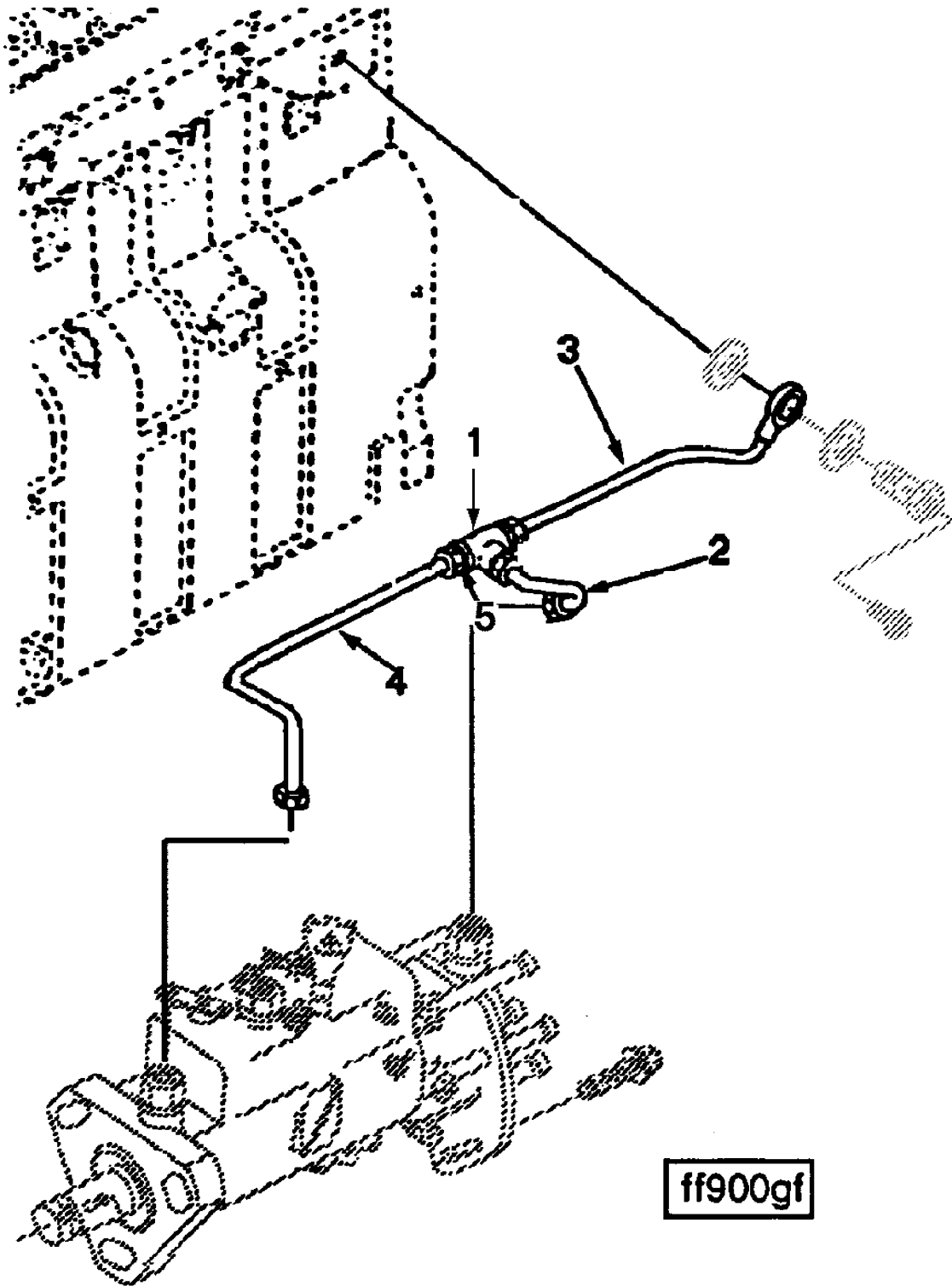
ff900gb

REF NO	PART NUMBER	PART NAME	REQ	REMARKS
	FF9002	Fuel Filter	1	Fuel Filter Element Type: Single Water Separator Provision: No Mtg. Angle From Crank C/L: To Be Determined Element Style: Spin On Installation Responsibility: Cummins Filter Location: Under Head Cylinder #5 Absolute Filtration (Microns) : 25 Compatible With Lift Pump: Yes Air Heater Connection Provided: No Filter Inlet Diameter: 1/2 In. Engine Family: B Series C Series Engine Cylinders: 4 6
1	3925954	Adapter, Filter Head	1	
2	3931063	Filter, Fuel	1	
3	3935171	Washer, Sealing	2	
	3905860	Screw, Banjo Connector	1	
4	(3911446)	Screw, Banjo Connector	1	M12 x 1.50 x 24
5	(3905403)	Screw, Captive Washer Cap	1	M6 x 1.00 x 10

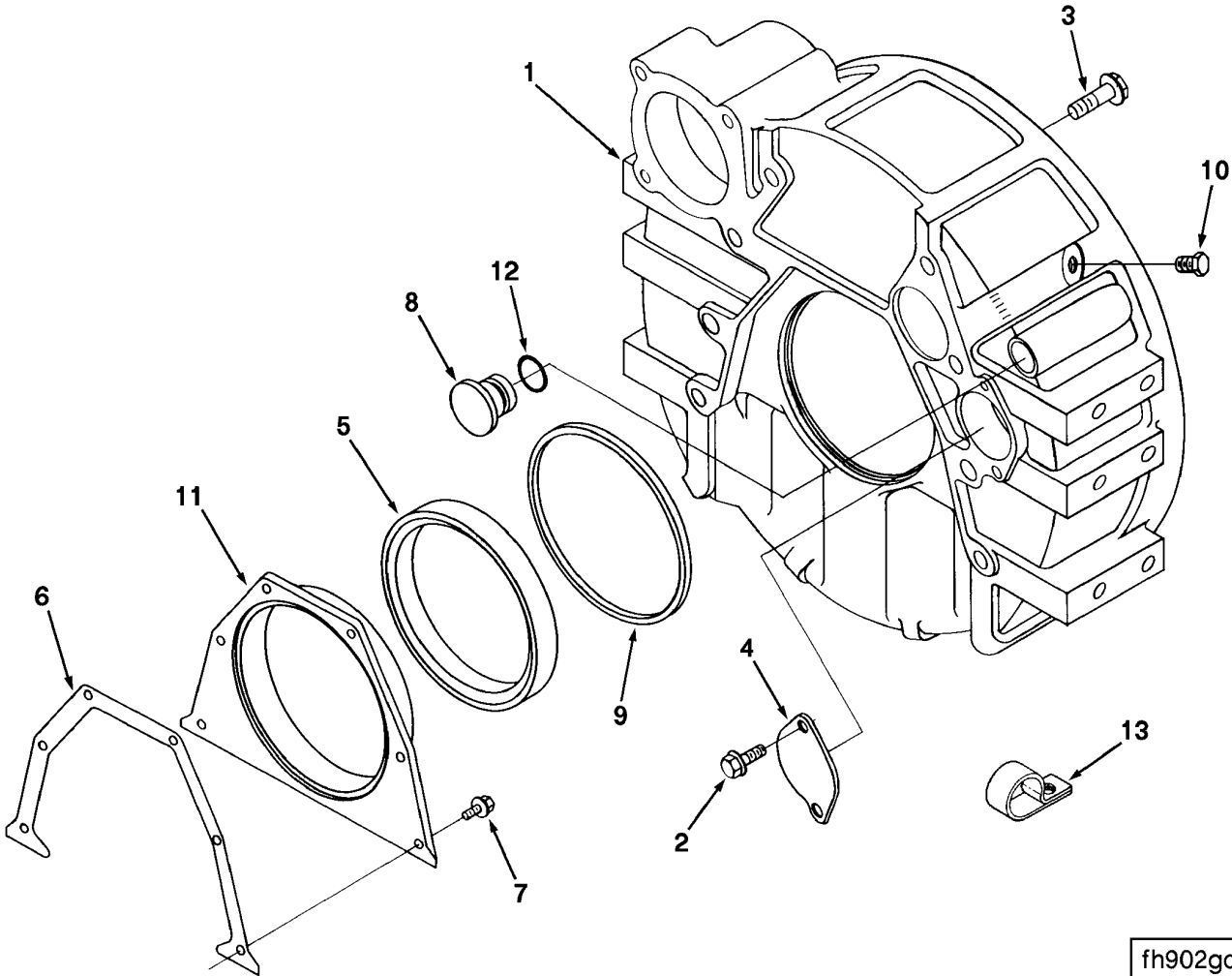


ff911gh

REF NO	PART NUMBER	PART NAME	REQ	REMARKS
	FF9701	Fuel Filter	1	Fuel supply tube, from fuel filter head to CAV'S DPA type fuel injection pump, "B" series 4 & 6 cylinder engines
1	3903546	Seal, O Ring	1	
2	(3904362)	Head, Fuel Filter	1	
	(3905491)	Head, Fuel Filter	1	
3	203933	Plug, Expansion	1	
4	3903846	Seal, O Ring	1	
5	3903845	Adapter, Filter Head	1	
6	3903293	Nut, Regular Hexagon Jam	1	M16 x 1.50
7	3903640	Filter, Fuel	1	
8	3903410	Filter, Fuel	1	
9	3903037	Washer, Sealing	2	1/2 inch
10	(3911446)	Screw, Banjo Connector	1	M12 x 1.50 x 24
11	(3905403)	Screw, Captive Washer Cap	1	M6 x 1.00 x 10
	(3905432)	Tube, Fuel Supply	1	
12	3905353	Tee, Male Union	1	
13	3905375	Tube, Fuel Supply	1	
14	3905364	Tube, Fuel Supply	1	
15	3905363	Tube, Fuel Supply	1	

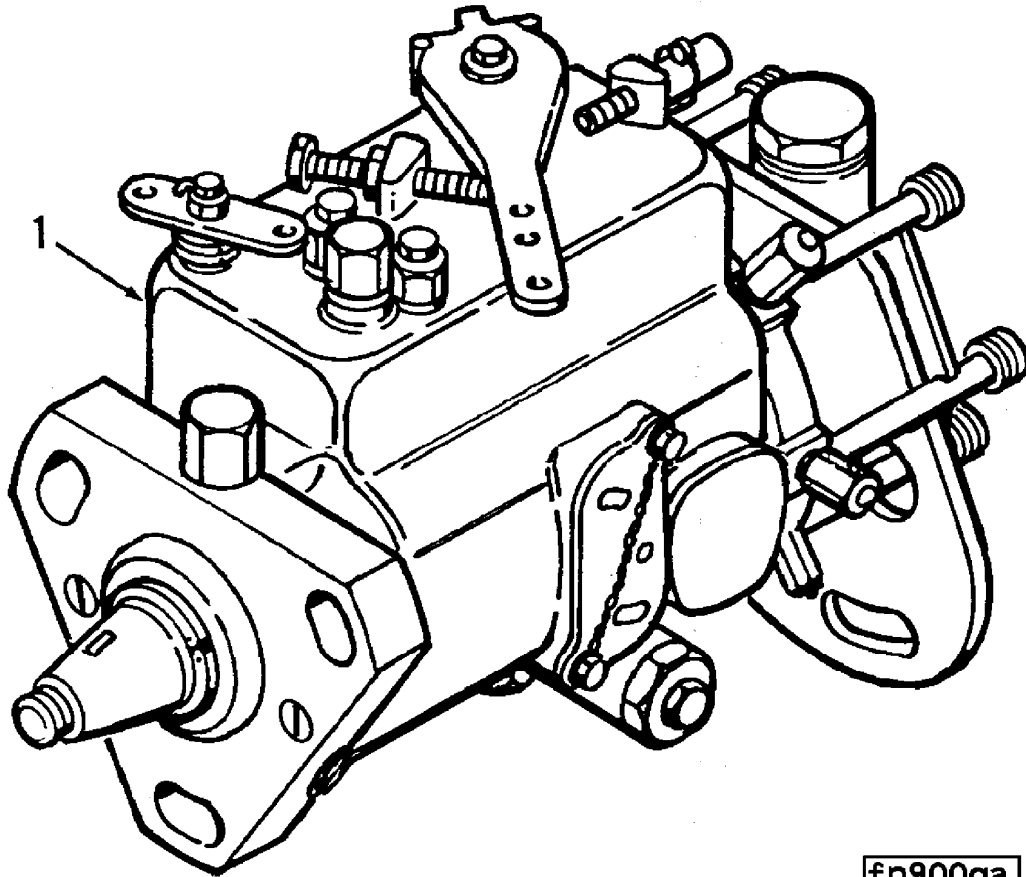


REF NO	PART NUMBER	PART NAME	REQ	REMARKS
	FF9701	Fuel Filter Plumbing	1	Fuel Filter Plumbing Family: B Series Pump Mfg/Model: CAV DPA Heater/Spacer Provision: No Tube Material: Steel Boost Control Provision: Without Mounting Location: Fuel Pump side Structure Code: 02 EBM Cylinders: 6 4 3.
1	3905353	Tee, Male Union	1	
2	3905375	Tube, Fuel Supply	1	
5	3905351	Seal, Grommet	1	
3	3905364	Tube, Fuel Supply	1	
5	3905351	Seal, Grommet	1	
4	3905363	Tube, Fuel Supply	1	
5	3905351	Seal, Grommet	1	



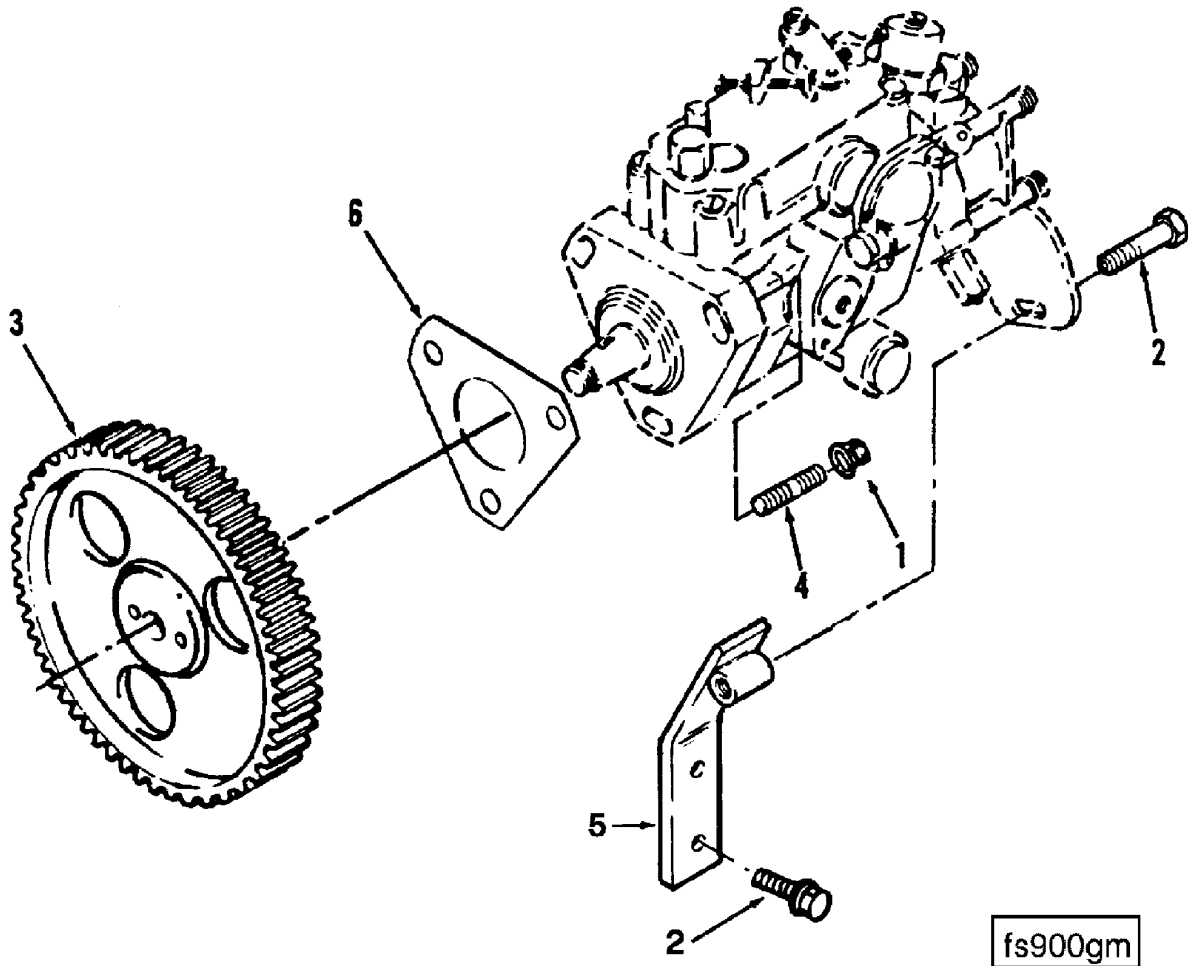
fh902gd

REF NO	PART NUMBER	PART NAME	REQ	REMARKS
	FH9002	Flywheel Housing	1	Flywheel Housing Wet/Dry Clutch: Dry Housing Material: Aluminum SAE Size or Type: SAE 3 Starter Mount SAE: SAE #1 - 3 Bolt 90 Degree St Quadrant: 1st Starter Pad Offset From RFOB (MM): 0.00 Starter Mounting Hole Diameter (MM): 88.9 Mount Type: Pad Engine Mounting Hole Dimension: M12 x 1.75-6H # Mount Holes: 12 Engine Mount Top Hole +/-CR C/L (MM): 82.5 Tach Sensor Location: 4th Tach Size: 3/4 - 16 UNF Tach Count: 1 Trans MT Holes Count/Thread: 12 - M10 x 1.5 x 25 Starter Bore Angle (Deg): 47 Starter Center Distance: 216.407 Engine Family: B Series Not to be used with low mount rear out turbo locations.
1	3931627	Housing, Flywheel	1	
2	3912072	Screw, Self Tapping Metal	2	M8 x 1.25 x 15
3	3920447	Screw, Hex Flange Head Cap	8	M12 x 1.75 x 40
4	3925234	Plate, Cover	1	
	3934486	Rr Crankseal Serv Kit	1	Includes Installation Tools Tools
5	(3933262)	Seal, Oil	1	
6	3928493	Gasket, Rear Cover	1	
7	3913638	Screw, Hex Flange Head Cap	6	M6 x 1.00 x 15
8	3910248	Plug, O Ring	1	
9	3912473	Seal, Rectangular Ring	1	
10	3904181	Plug, Threaded	1	3/4 - 16 UNF
11	3921043	Cover, Rear	1	
12	3910260	Seal, O Ring	1	
13	3928989	Clip	1	



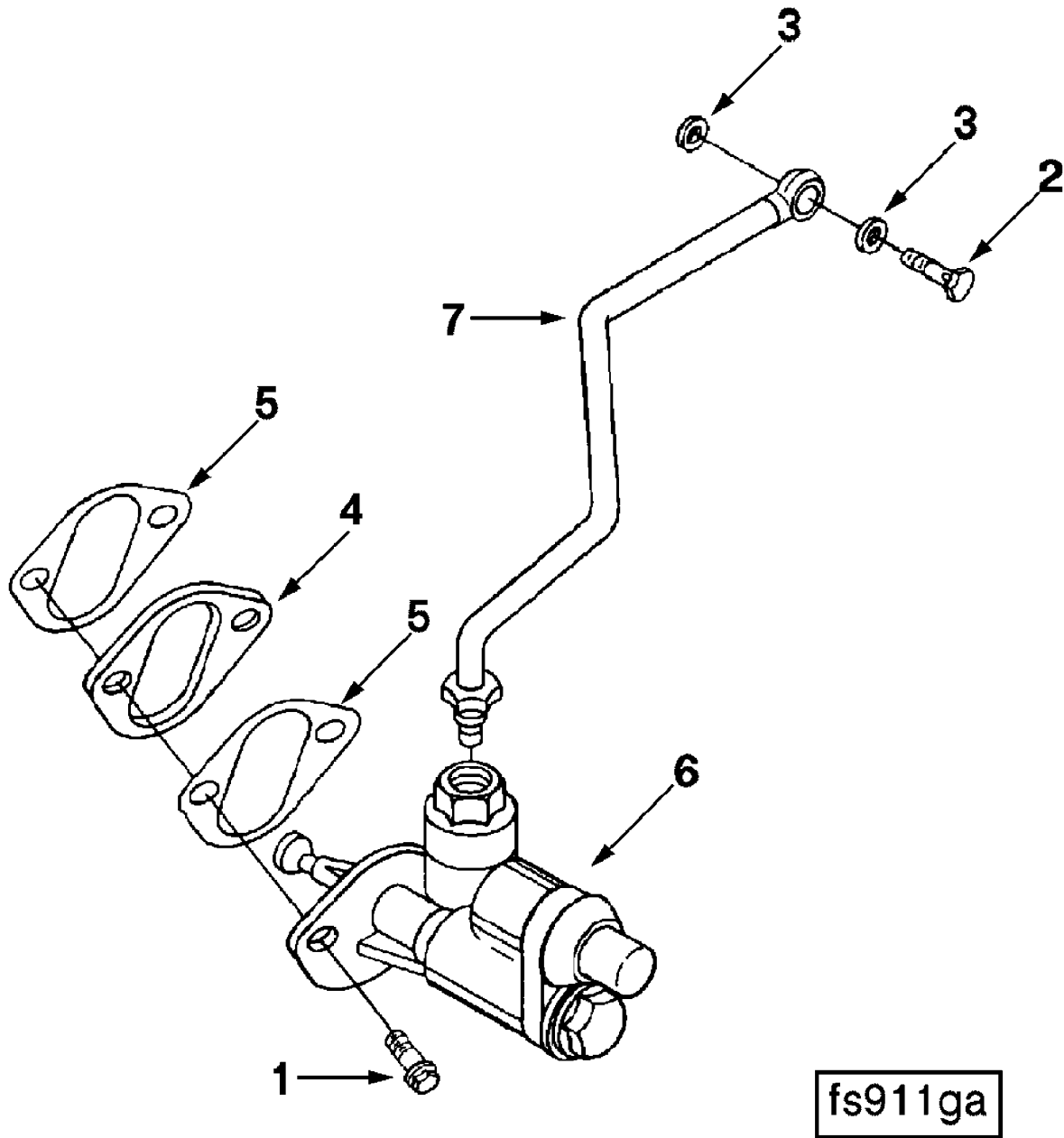
fp900ga
B01220

REF NO	PART NUMBER	PART NAME	REQ	REMARKS
	FP9419	Cav Injection Pump	1	Fuel Pump Engine Family: B Series Engine Cylinders: 6 Advertised HP: 208 @ 2100 Governed HP: 208 @ 2100 Torque Peak (Lb-Ft): 182 @ 1760 Fuel Pump Type: Rotary Pump Manufacturer/Model: CAV DPA High Idle: 2175 Solenoid Mtg Location: Pump Solenoid Activation: ATS Voltage: 12 High Pressure Tube ID (MM): 2.0 Shutdown Device: Electrical Compatible Fuel Rating - FR: 9374 CPL: 1165 Certified By: FM UL UL Of Canada Certification Status: Approved Peak Power: 208 Governor Break RPM: 2120 Governor Regulation (%): 2.6 6BTA5.9 F-1
1	3914623	Pump, Fuel Injection	1	

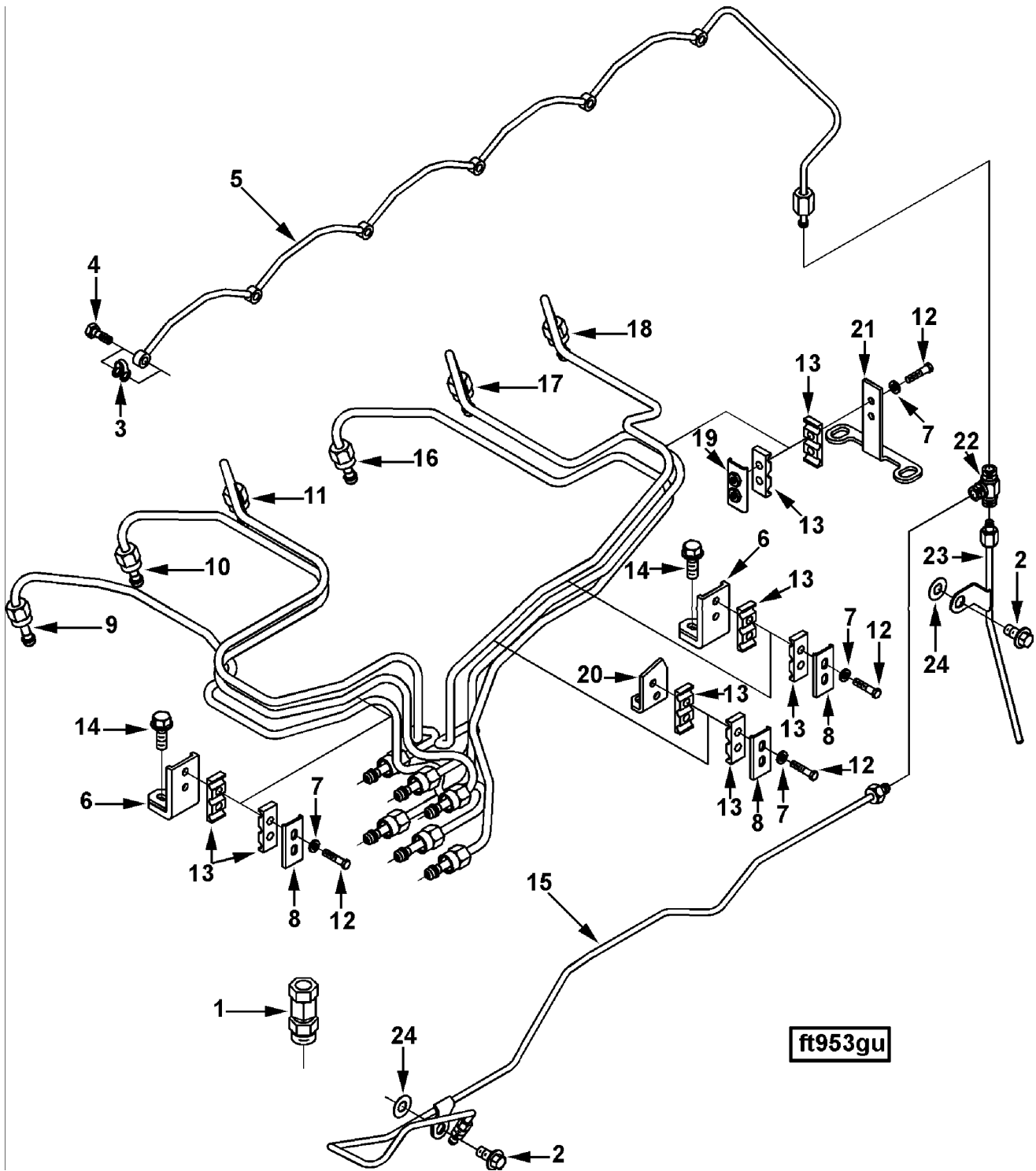


fs900gm

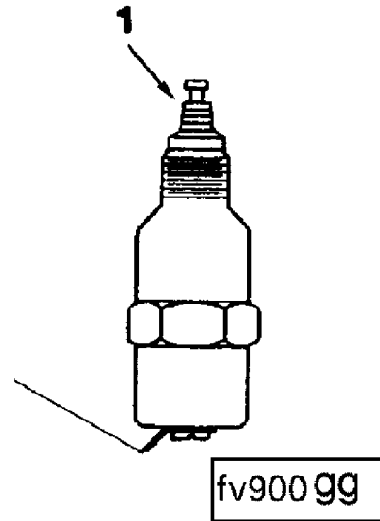
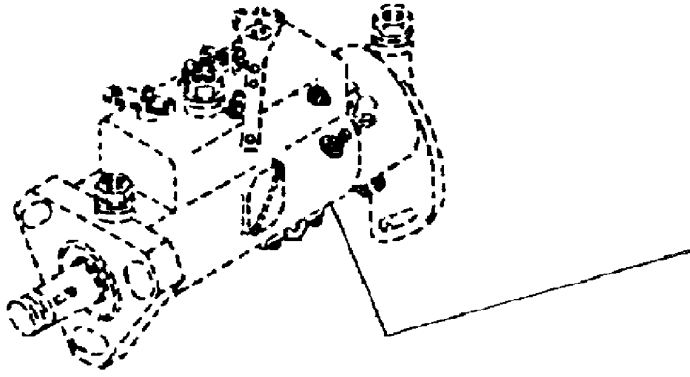
REF NO	PART NUMBER	PART NAME	REQ	REMARKS
	FP9701	Fuel Pump Coupling	1	Fuel Pump Coupling Engine Family: B Series Provision For Air Compressor: No Fuel Pump Supports Provided: Yes Structure Code: 02 EBM Fuel Pump Mfg/Model: CAV DPA Aspiration: Jacket Water Aftercooled Naturally Aspirated Turbocharged Fuel Pump Gear 3920594 may be substituted for 3920593. DEP may substitute 3282370 in place of 3902501.
1	3900589	Nut, Hexagon Flange	3	M8 x 1.25
2	3900630	Screw, Hex Flange Head Cap	3	M8 x 1.25 x 20
3	3936021	Gear, Fuel Pump	1	
4	3902501	Stud	3	M8 x 1.25(Both Ends) x 47.98
5	3916024	Brace, Fuel Pump	1	
6	3931607	Gasket, Fuel Pump	1	



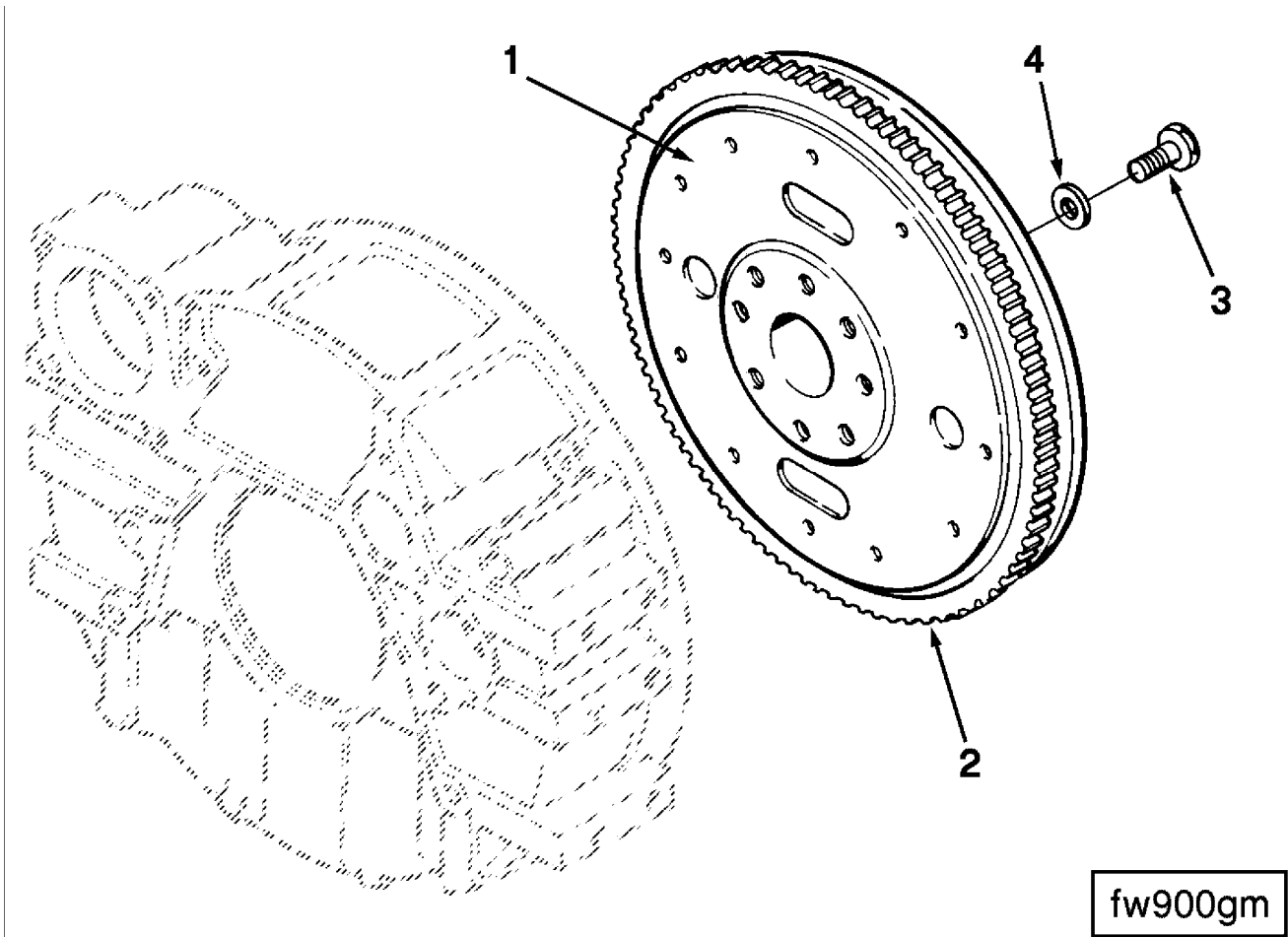
REF NO	PART NUMBER	PART NAME	REQ	REMARKS
	FS9052	Fuel System Accessories	1	Lift Pump Structure Code: 02 EBM Pump Style: Piston Pump Operation: Mechanical Pump Supplier: Cummins Pump Stand Measured Flow (LPH): 108.1 - 230.9 Pump Measured Flow (Pump RPM) : 1250 Fuel Inlet Size: 1/4-18 NPTF Filter Location: On Engine Unique Characteristics: Not For Remote KSB Cylinders: 6 4 Engine Family: B Series
1	3900631	Screw, Hex Flange Head Cap	2	M8 x 1.25 x 25
2	3903035	Screw, Banjo Connector	1	M12 x 1.50 x 24
3	3935171	Washer, Sealing	2	
4	3914284	Spacer, Mounting	1	
5	3931059	Gasket, Cover Plate	2	
6	3936320	Pump, Fuel Transfer	1	
7	3914753	Tube, Fuel Supply	1	
	3008466	Plug, Pipe	1	1/4 NPT



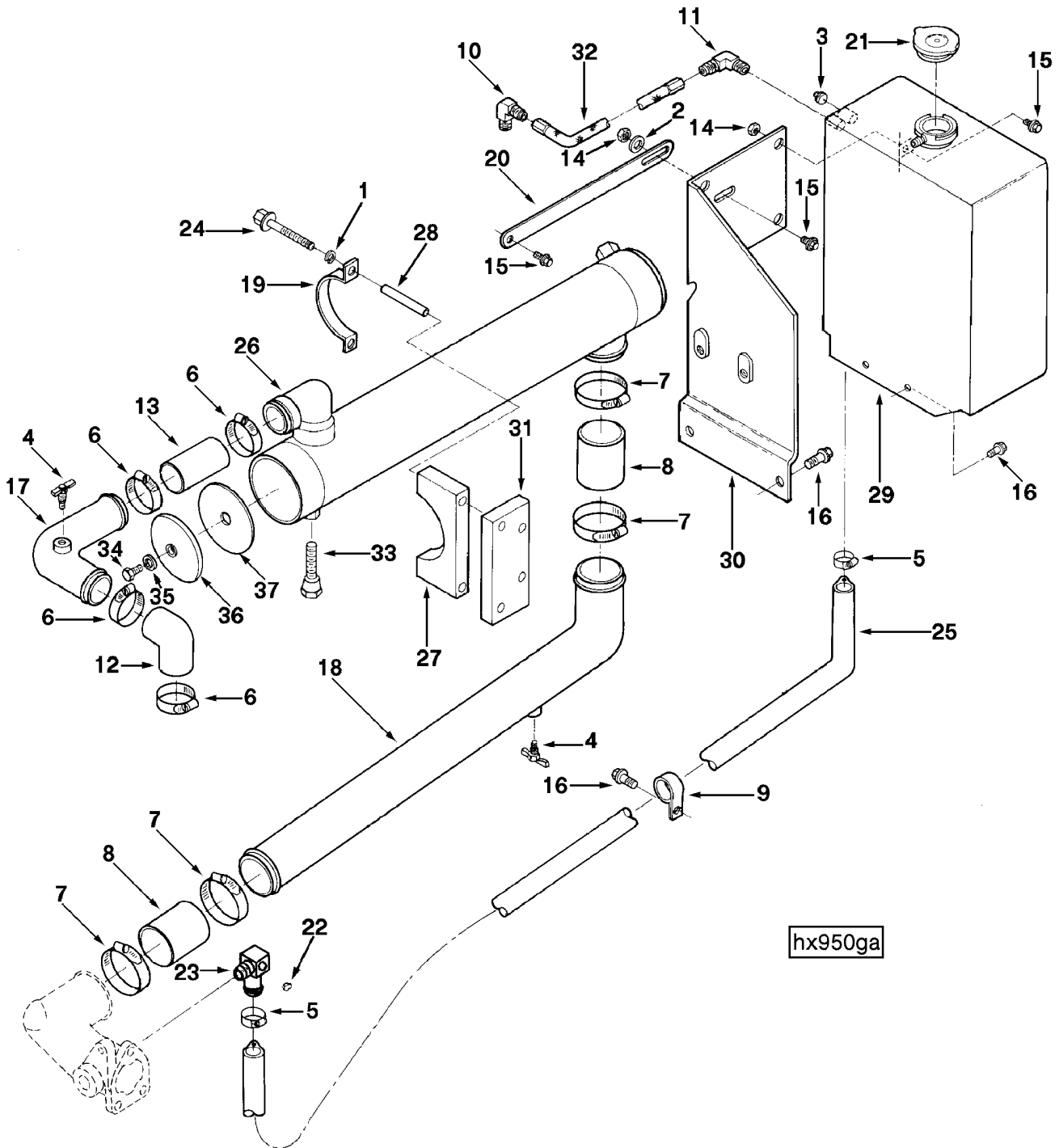
REF NO	PART NUMBER	PART NAME	REQ	REMARKS
	FT97034	Fuel Plumbing	1	Fuel Plumbing Engine Family: B Series Engine Cylinders: 6 High Pressure Tube ID.: 2.0 Boost Control: Without Restricted Aspiration: Turbocharged Jacket Water Aftercooled Fuel Pump Manufacturer/Model: CAV DPA For UL/FM/ULC listed firepumps, includes fuel drain adapter with 1/8 inch pipe. Manufacturing may use 3281020 as a replacement for 3911874, 3918462, and 3918463.
1	3281020	Connector, Tube	1	
2	3900629	Screw, Hex Flange Head Cap	2	M8 x 1.25 x 16
3	3903380	Seal, Banjo Connector	6	6MM
4	3905307	Screw, Banjo Connector	6	M6 x 1.00 x 14.3
5	3909696	Manifold, Fuel	1	
	(3917744)	Tube, Injector Fuel Supply	1	
6	3282942	Brace, Tube	2	
7	3903723	Washer, Plain	8	
8	3904519	Brace, Tube	3	
9	3914043	Tube, Injector Fuel Supply	1	No. 4 Cylinder
10	3914044	Tube, Injector Fuel Supply	1	No. 5 Cylinder
11	3914090	Tube, Injector Fuel Supply	1	No. 6 Cylinder
12	(3917712)	Screw, Hexagon Head Cap	8	M5 x 0.80 x 22
13	3917747	Isolator, Vibration	8	
14	3918108	Screw, Hex Flange Head Cap	2	M8 x 1.25 x 16
15	3920891	Tube, Fuel Drain	1	
	(3922056)	Tube, Injector Fuel Supply	1	
16	3914045	Tube, Injector Fuel Supply	1	No. 1 Cylinder
17	3914046	Tube, Injector Fuel Supply	1	No. 2 Cylinder
18	3914091	Tube, Injector Fuel Supply	1	No. 3 Cylinder
19	3917716	Brace, Tube	1	
20	3917778	Brace, Tube	1	
21	3922055	Brace, Tube	1	
22	3905388	Tee, Male Union	1	
23	3905692	Tube, Fuel Drain	1	
24	3928759	Seal, Grommet	4	



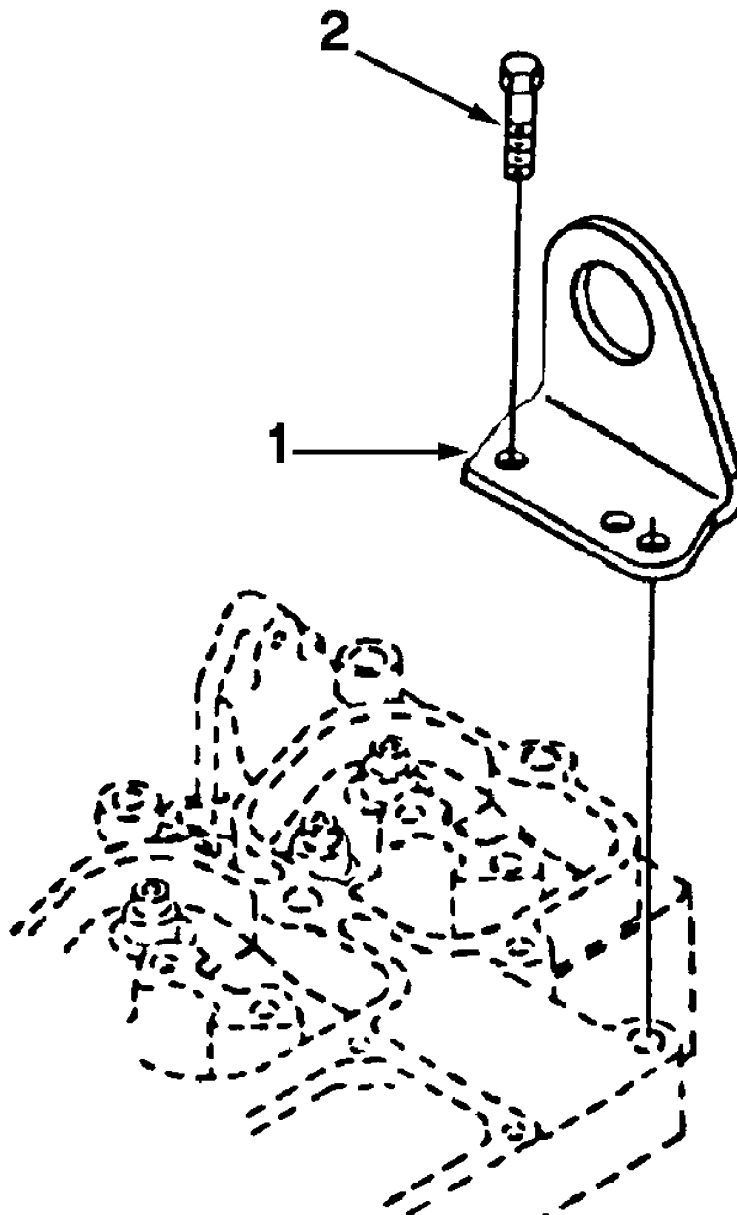
REF NO	PART NUMBER	PART NAME	REQ	REMARKS
	FV9026	Cav Fuel Shutoff Valve	1	12 volt, normally open activate to stop solenoid. No content option used at a point to select the correct fuel pump.
1	3904630	Kit, Solenoid	1	CAV 12 Volt



REF NO	PART NUMBER	PART NAME	REQ	REMARKS
	FW9017	Flywheel	1	Flywheel Type: Flywheel Housing SAE Size or Type: SAE 3 Intended Drive Hardware: 10" & 11 1/2" OC Clutch Material Specification: 40, 001 Ring Gear Pitch: 10/12 Ring Gear Pitch Diameter: 403.86 MM (15.9 In) Ring Gear Tooth Count: 159 Crank Flange To Ring Gear Leading Edge (MM): 16.71 Maximum RPM: 2940 Pilot Bearing Bore Dia. (MM): 71.973 MM Clutch Mounting Bolt Circle (MM): 333.38 Clutch Mounting Hole Count: 16 Clutch Mounting Hole Nomenclature: 3/8-16 UNC-2B Moment of Inertia (KG/M2): 0.56 Structure Code: 02 EBM Required Starter Center Distance (MM): 216.40 Applicable Engine Families: B Series Multiple Clutch Face Bolt Circle
	3914432	Flywheel	1	
1	(3914431)	Flywheel	1	
2	3901774	Gear, Flywheel Ring	1	
3	3901395	Screw, Hexagon Head Cap	8	M12 x 1.25 x 32
4	3900269	Washer, Plain	8	M12

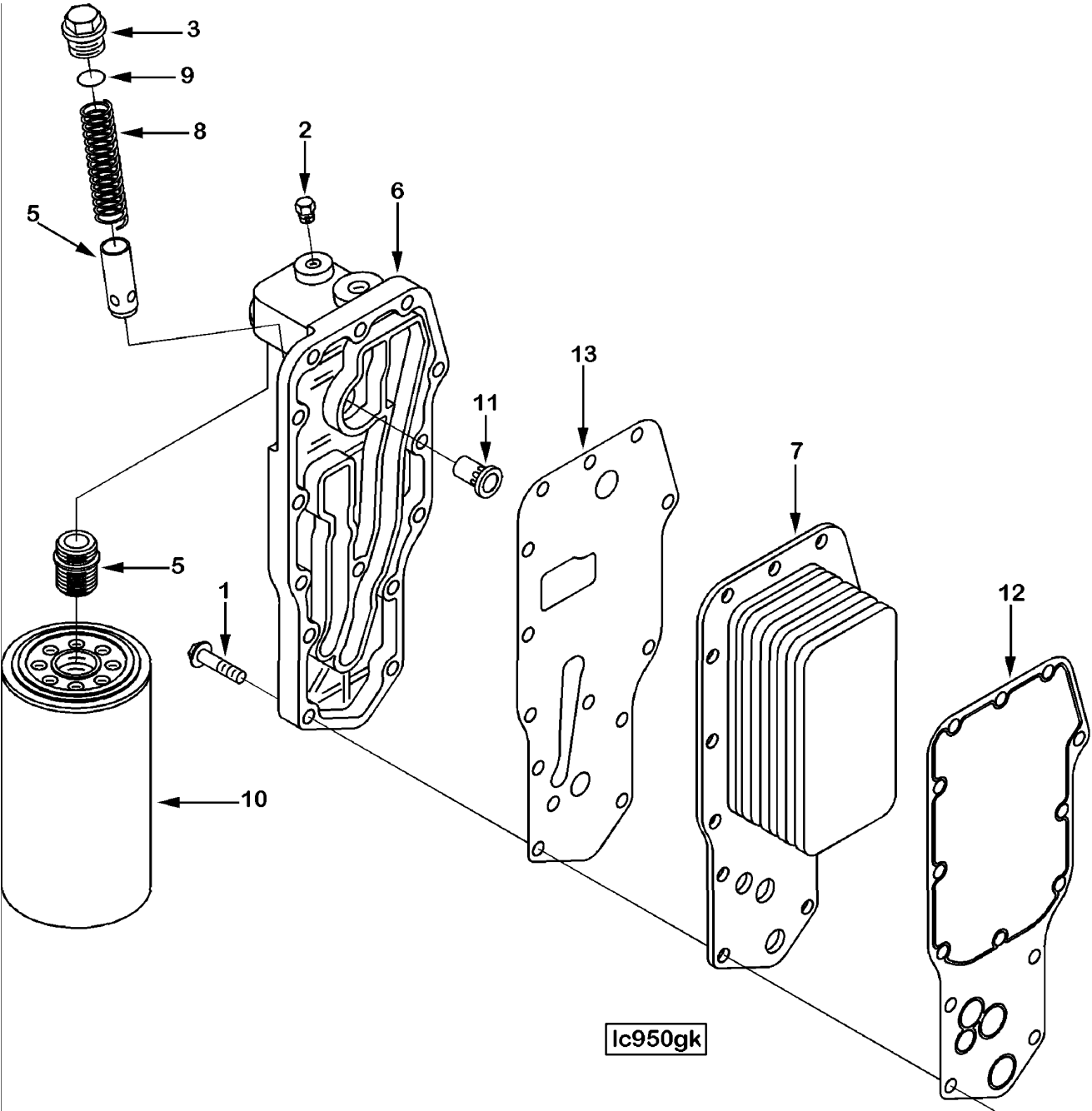


REF NO	PART NUMBER	PART NAME	REQ	REMARKS
	HX9010	Heat Exchanger	1	Exchanger, Heat Turbocharger Location: Mid Application: Fire Pump Exchangers Coolant Source: Raw Water Upgrade: No Engine Cylinders: 6 Parts Provided In a Kit: No Exhaust Manifold Location: Top Plumbed to Water Inlet: Yes Coolant Package Type: Water- Water Max Water Inlet Temp Deg F.: Unknown DEP may use 3064947 in place of S-949-B plug.
1	S-610	Washer, Lock	2	7/16 inch
2	S-626	Washer, Plain	2	5/16 inch
3	S-949-B	Plug, Pipe	1	1/8 NPT
4	S-962-E	Draincock	2	
5	43828-A	Clamp, Hose	2	11 16 - 1 1/2 inch
6	43828-B	Clamp, Hose	4	1 5/16 - 2 1/4 inch
7	43828-D	Clamp, Hose	4	2 1/16 - 3 inch
8	63549	Hose, Plain	2	
9	67950	Clip	2	
10	68139	Elbow, Male Adapter	1	1/8 NPTF x 7/16-20 (90)
11	112105	Elbow, Male Adapter	1	
12	176743	Hose, Elbow	1	
13	3924839	Hose, Plain	1	
14	3900240	Nut, Regular Hexagon	1	M8 x 1.25
15	3925883	Screw, Hex Flange Head Cap	4	M8 x 1.25 x 16
16	3901249	Screw, Hex Flange Head Cap	4	M12 x 1.75 x 25
17	3905047	Tube, Water Exchanger	1	
	3897156	Tube, Water Transfer		
18	3905052	Tube, Water Transfer	1	
19	3905057	Clamp, Retaining	2	
20	3905099	Brace, Air Cleaner	1	
21	3281628	Cap, Filler	1	
	(3908225)	Coupling, Hose	1	
22	3906619	Plug, Pipe	1	1/8 NPT
23	3908221	Coupling, Elbow Hose	1	
24	3908226	Screw, Hex Flange Head Cap	4	M10 x 1.50 x 95
25	3393429	Hose, Plain	1	
26	3930791	Exchanger, Heat	1	
33	68241	Plug, Zinc Electrode	1	
34	3910345	Screw, Hexagon Head Cap	2	
35	3910556	Washer, Sealing	2	
36	3910344	Cover, Heat Exchanger	2	
37	3910343	Gasket, Heat Exchanger	2	
	3281793	Isolator, Vibration	2	
27	(3281791)	Isolator, Vibration	2	
28	(3281792)	Spacer, Mounting	1	
29	3914298	Tank, Expansion	1	
30	3916195	Bracket, Air Cleaner	1	
31	3897086	Bracket, Heat Exchanger	2	
32	3920607	Hose, Flexible	1	
	3924348	Washer, Plain	3	

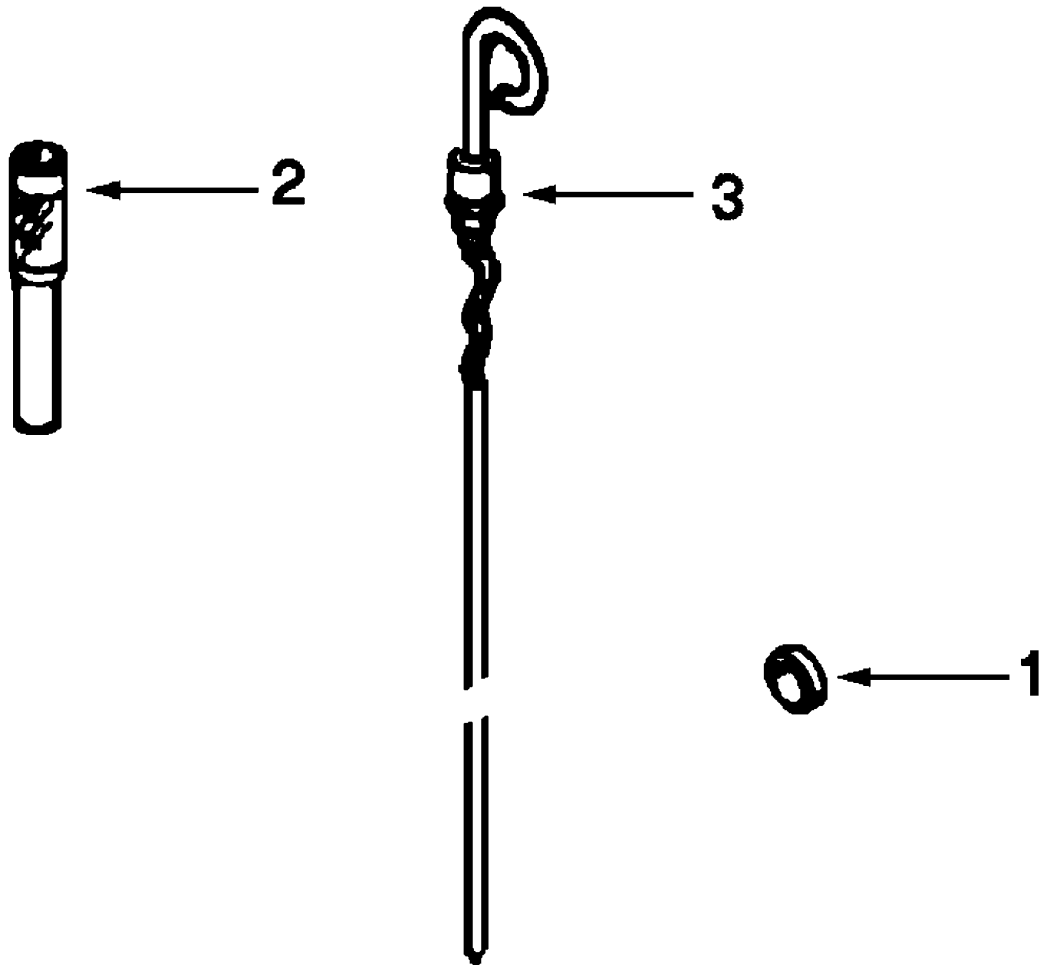


la900gc

REF NO	PART NUMBER	PART NAME	REQ	REMARKS
	LA9007	Lifting Bracket	1	Lifting Bracket Structure Code: 02 EBM Engine Family: B Series Capscrew Length: 30MM Allows For Intake Trunking: No Max Lifting Load (Lbs.): 2000 Bracket Pre-Painted: No Bracket(s) Provided: Front And Rear Neuss will use 25mm mounting capscrews.
1	3908118	Bracket, Lifting	1	
2	3910495	Screw, Hex Flange Head Cap	2	M12 x 1.75 x 30

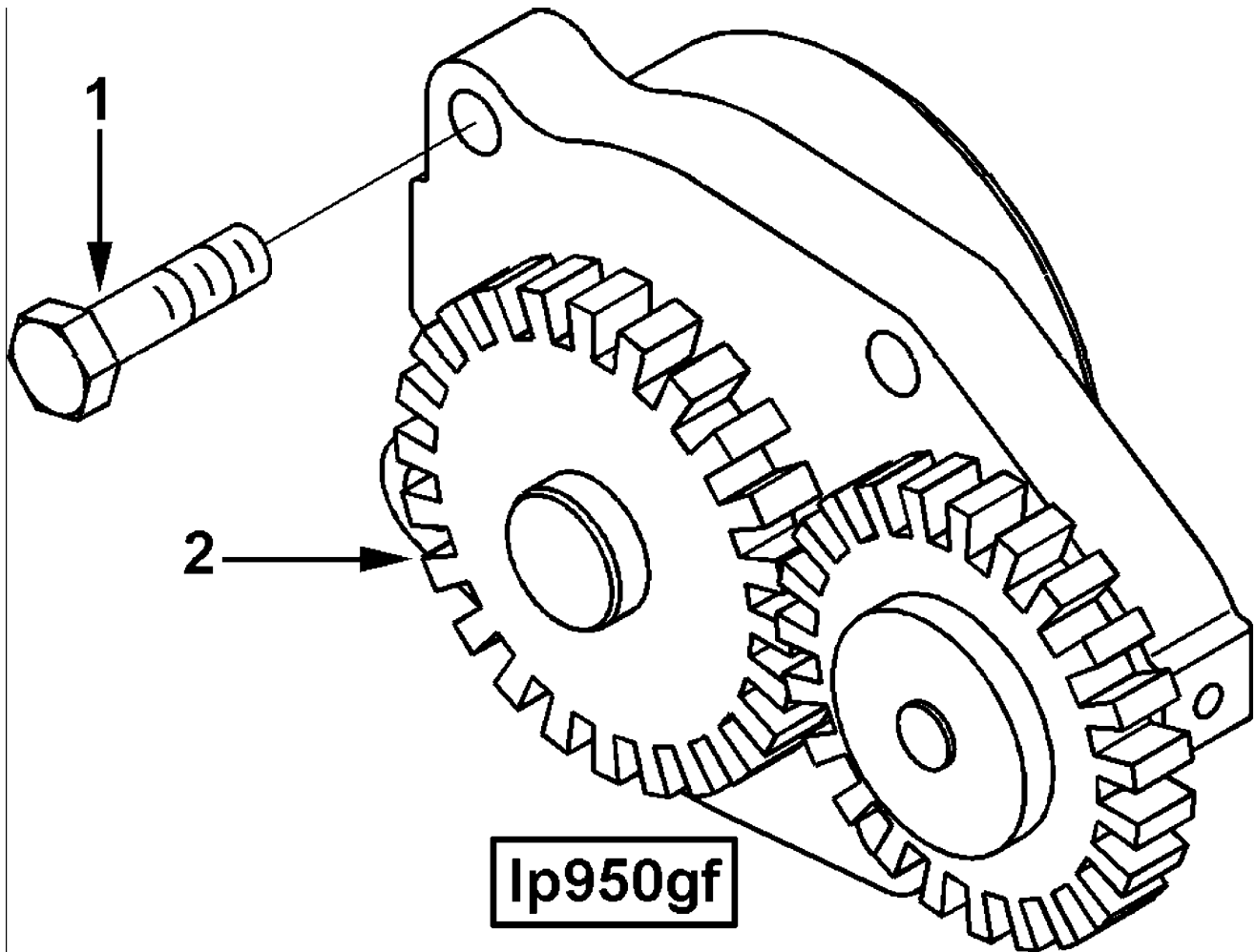


REF NO	PART NUMBER	PART NAME	REQ	REMARKS
	LC9020	Engine Oil Cooler	1	Lube Oil Cooler Structure Code: 02 EBM Cylinders: 6 Cooler Type: Plate Mounting Position/Location: Vertical Filter Material: Cellulose Engine Families: B Series Restricted Aspiration: Turbocharged Jacket Water Aftercooled Pressure Relief Set 65 PSI.
1	3900632	Screw, Hex Flange Head Cap	14	M8 x 1.25 x 35
2	3906619	Plug, Pipe	1	1/8 NPT
3	3915787	Plug, Threaded	1	M22 x 1.50
4	3918428	Plunger, Prs Regulator	1	
	3918954	Head, Lub Oil Filter	1	
5	3909355	Adapter, Filter Head	1	1-16 Thd(Ext) Both Ends
6	(3924338)	Head, Lub Oil Filter	1	
7	3921558	Core, Cooler	1	
8	3925009	Spring, Compression	1	
9	3929457	Seal, O Ring	1	
10	3932217	Cartridge, Lub Oil Filter	1	
11	3933615	Valve, Pressure Relief	1	
12	3942914	Gasket, Oil Cooler Core	1	
13	3942915	Gasket, Filter Head	1	



lg911gg

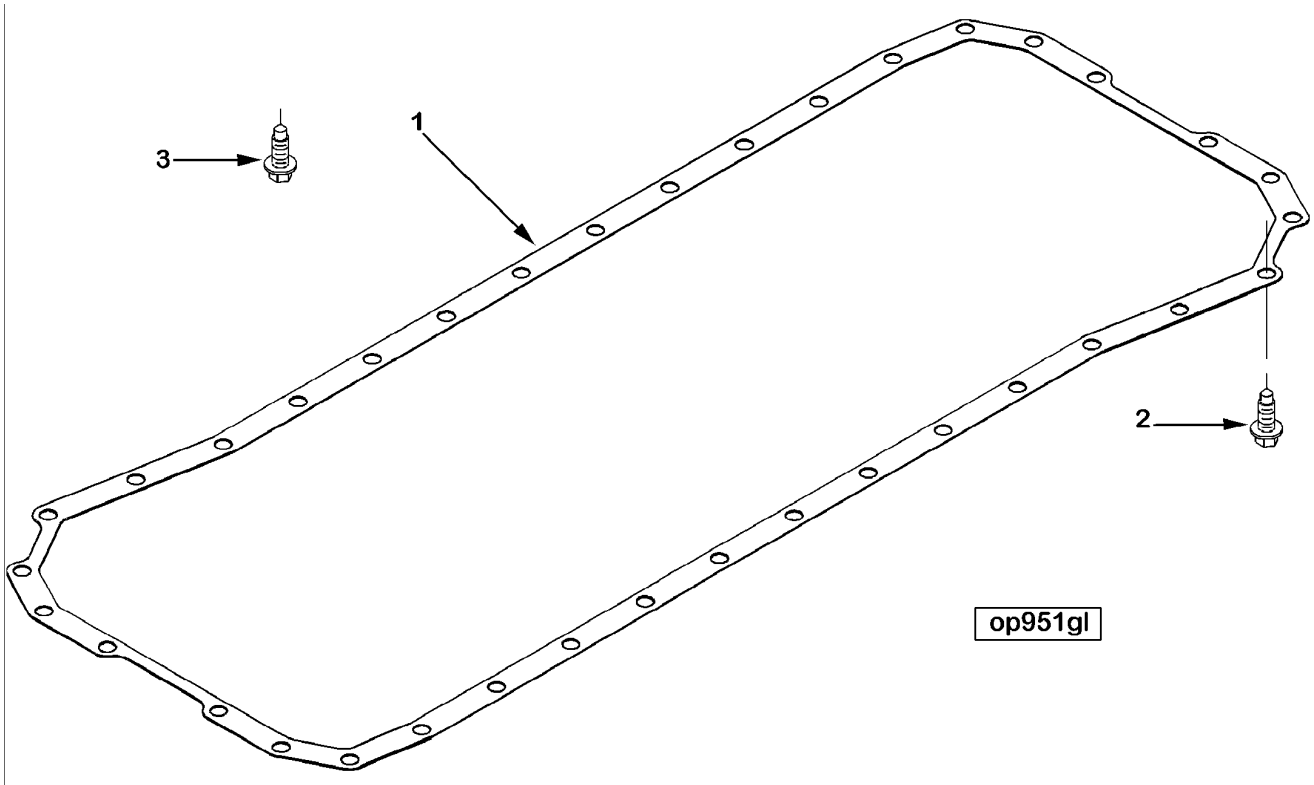
REF NO	PART NUMBER	PART NAME	REQ	REMARKS
	LG9062	Oil Level Gauge	1	Lube Oil Gauge Family: B Series Cylinders: 6 Supplier: Cummins Oil Pan High Limit (qt): 15 Oil Pan Low Limit (qt): 13 Oil Pan Sump: Front Entry Location from FFOB (mm): 168.0 Power Angle (deg): 0 Engine Tilt (deg): 0 Pull Direction: Vertical Functions with Air Compressor: No Tube Termination Side: Fuel Pump side Tube Effective Length (mm): 65 Restricted Breather Type: Open CNS may use 3905368 expansion plug in place of 3900955 expansion plug.
1	3900955	Plug, Expansion	3	
2	3279104	Tube, Oil Gauge	1	
3	3905786	Dipstick	1	



REF NO	PART NUMBER	PART NAME	REQ	REMARKS
	LP9714	Lube Oil Pump	1	Lubrication Oil Pump Structure Code: 02 EBM Engine Design Phase: Current Product Pump Drive: Non-Crank Concentric Body Material: Cast Iron Body Flow Rate @ Pump Speed (GPM @ RPM): 20.5 @ 4200 Gear Type: Steel HCR Gear Piston Cooling Method: Saddle Jet Engine Families: B Series C Series Cylinders - Engine Aspiration: 6 - Naturally Aspirated 6 - Turbocharged 6 - Jacket Water Aftercooled 6 - Sea Water Aftercooled 6 - Charge Air Cooled
1	3900677	Screw, Hexagon Head Cap	4	M8 x 1.25 x 30
2	3941742	Pump, Lubricating Oil	1	



REF NO	PART NUMBER	PART NAME	REQ	REMARKS
	OP9005	Oil Pan	1	Oil Pan Family: B Series Cylinders: 6 Sump Style: Standard Sump Location: Front Oil Pan Material: Stamped Steel Drain Location: Fuel Pump Side Pan High Capacity (Qt): 15 (14.191 l) Pan Low Capacity (Qt): 13 (12.299 l) Front Up Angularity (Deg): 40 Front Down Angularity (Deg): 40 Side To Side Angularity (Deg): 40 Structure Code: 02 EBM Oil Pan Type: Non-Isolated Internally Cast Suction Tube: No Required Oil Filter Medium: Cellulose Suction Tube Flange Thickness (mm): 5.16 Heater Boss Size & Location: 22mm Fuel Pump DEP may substitute 3281626 capscrew in place of 3920400. DEP may use 3282266 plug in place of 3924148 plug.
1	3915703	Pan, Oil	1	
2	3931349	Gasket, Flange	1	
3	3900630	Screw, Hex Flange Head Cap	2	M8 x 1.25 x 20
4	3902425	Washer, Sealing	1	
5	3924147	Plug, Threaded	1	M18 x 1.50 Thd
6	3934942	Connection, Oil Suction	1	
7	3920773	Washer, Sealing	1	
8	3924148	Plug, Threaded	1	M22 x 1.50 Thd

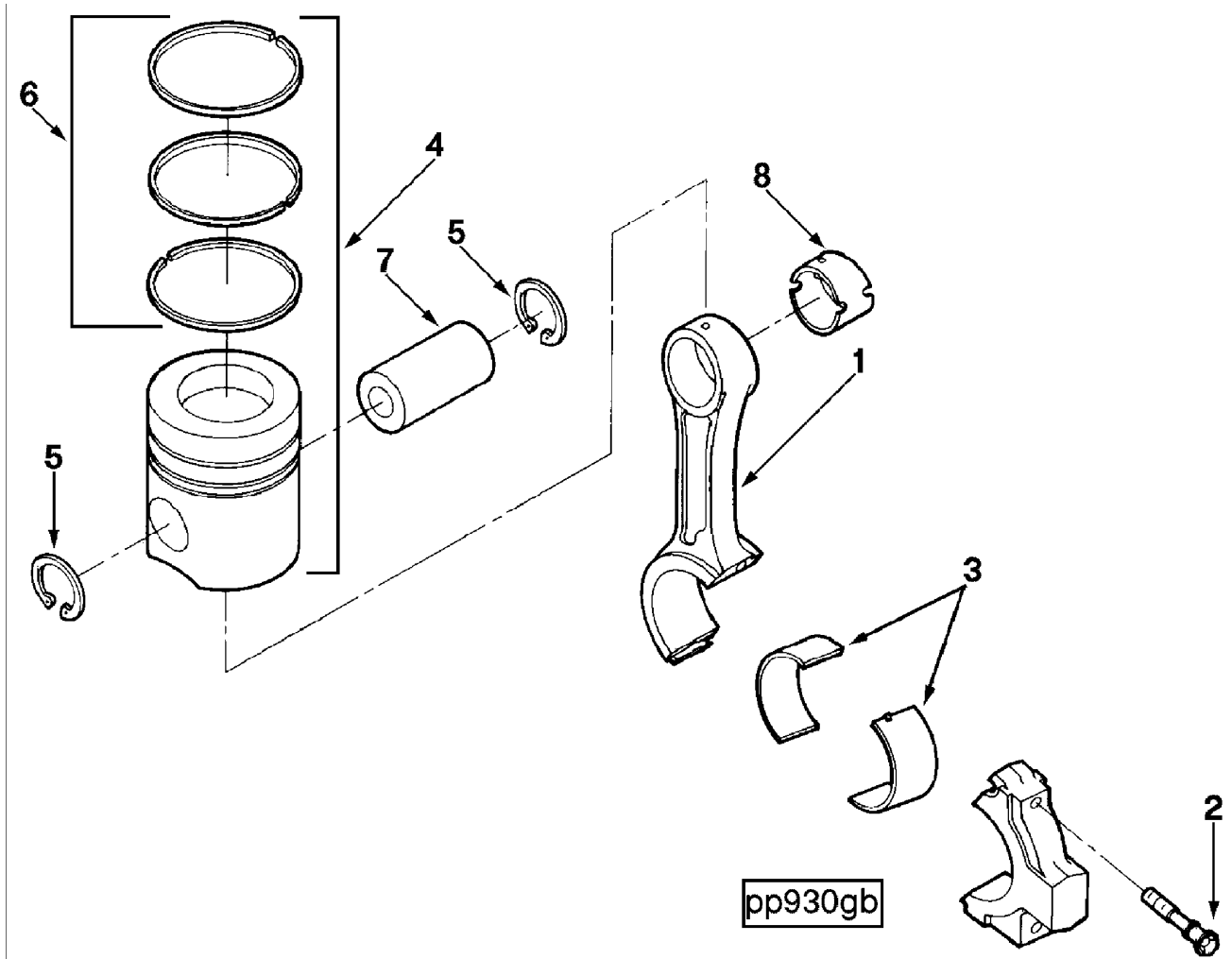


Group No. 07.01

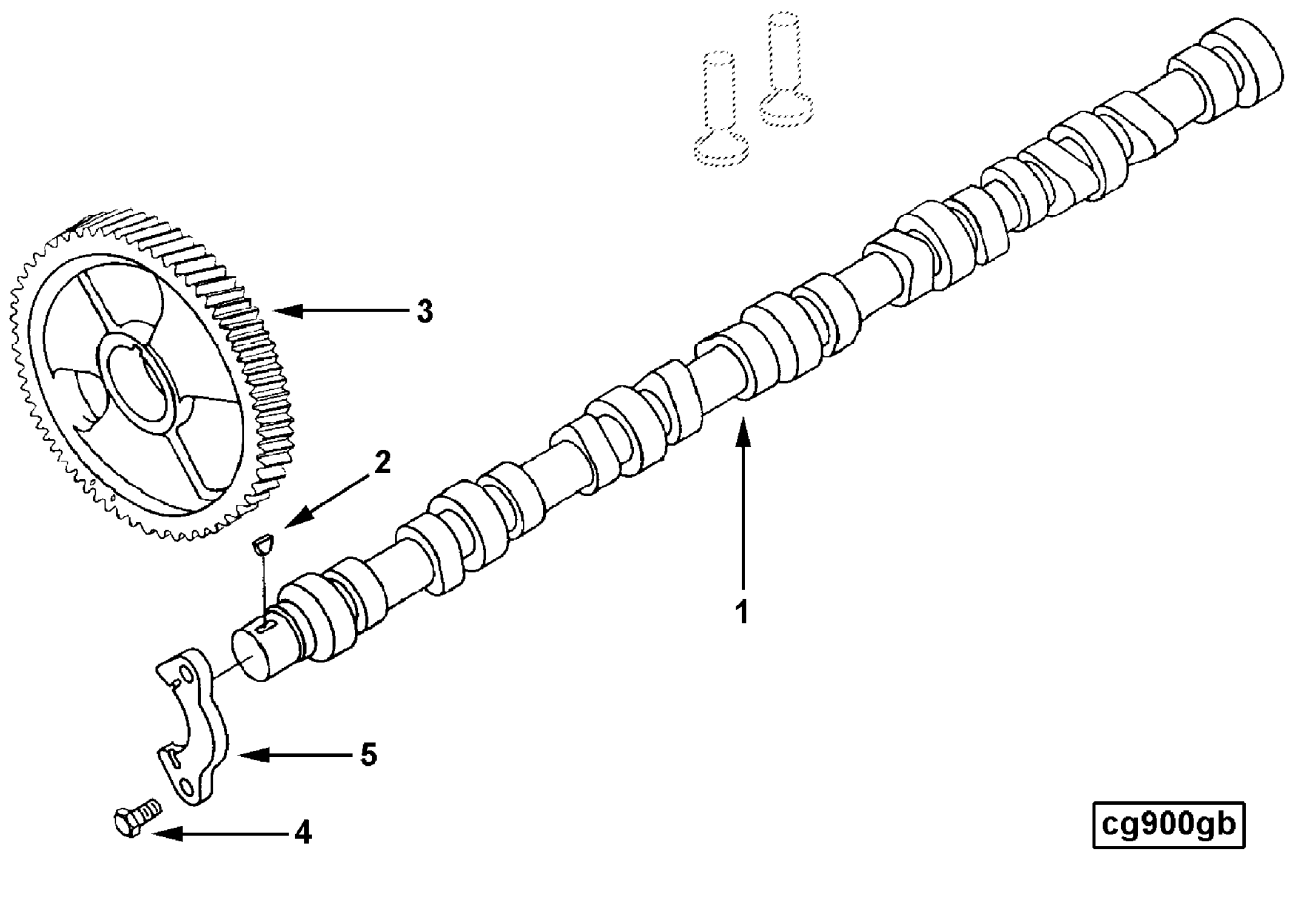
Oil-Pan

Option No. OP9702-03

REF NO	PART NUMBER	PART NAME	REQ	REMARKS
	OP9702	Oil Pan	1	Oil Pan Mounting Engine Family: B Series Cylinders: 6 Bedplate Capability: Without Required Oil Pan Material: Stamped Steel Structure Code: 02 EBM
1	3931346	Gasket, Oil Pan	1	
2	3920400	Screw, Hex Flange Head Cap	36	M8 x 1.25 x 21
3	3900630	Screw, Hex Flange Head Cap	2	M8 x 1.25 x 20

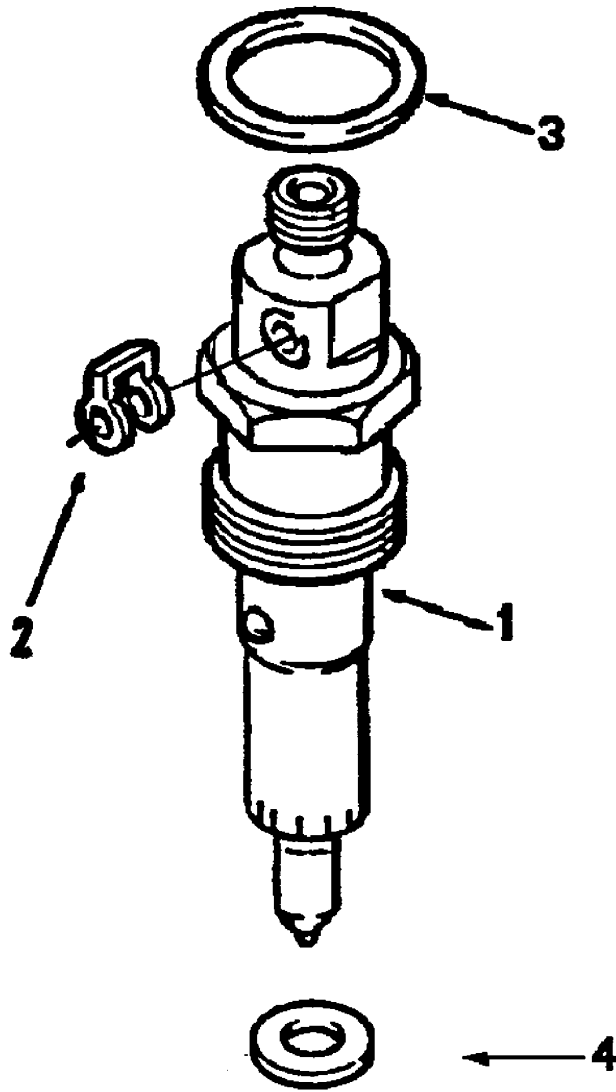


REF NO	PART NUMBER	PART NAME	REQ	REMARKS
	PP1165	Connecting Rod And Piston	1	CPL1165
1	3942581	Rod, Engine Connecting	6	
	(3942580)	Rod, Engine Connecting	1	
2	3900919	Screw, Connecting Rod Cap	2	MJ11 x 1.25 x 59
8	3941476	Bushing	1	
3	3901170	Bearing, Connecting Rod	12	Standard
4	3802170	Kit, Engine Piston STD	6	Standard
	(3911400)	Piston, Engine	1	
5	3920691	Ring, Retaining	2	
6	3802050	Set, Piston Ring	1	Standard
7	3901793	Pin, Piston	6	
3	3901171	Bearing, Connecting Rod	A/R	0.25mm Oversize
3	3901172	Bearing, Connecting Rod	A/R	0.50mm Oversize
3	3901173	Bearing, Connecting Rod	A/R	0.75mm Oversize
3	3901174	Bearing, Connecting Rod	A/R	1.00mm Oversize
4	3802172	Kit, Engine Piston .5mm	6	0.50mm Oversize
	(3912049)	Piston, Engine	1	.5mm Oversize
5	3901706	Ring, Retaining	2	
6	3802052	Set, Piston Ring	1	0.50mm Oversize
4	3802174	Kit, Engine Piston 1.0mm	6	1.00mm Oversize
	(3912050)	Piston, Engine	1	1.0mm Oversize
5	3901706	Ring, Retaining	2	
6	3802054	Set, Piston Ring	1	1.00mm Oversize



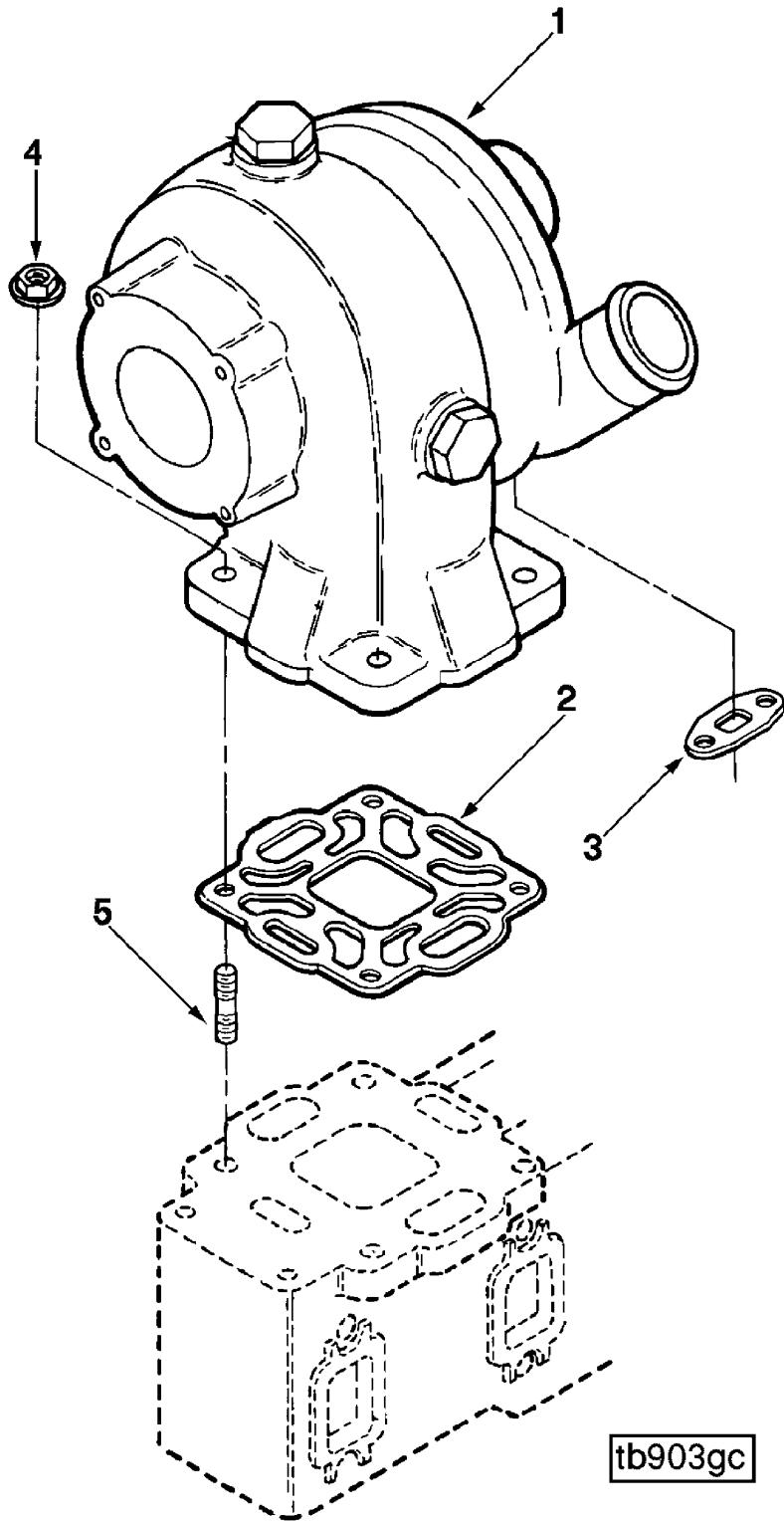
cg900gb

REF NO	PART NUMBER	PART NAME	REQ	REMARKS
	PP1165	Camshaft	1	
1	3929042	Camshaft	1	
2	3902332	Key, Plain Woodruff	1	
3	3929030	Gear, Camshaft	1	
4	3900227	Screw, Hexagon Head Cap	2	M8 x 1.25 x 22
5	3927155	Support, Camshaft Thrust	1	

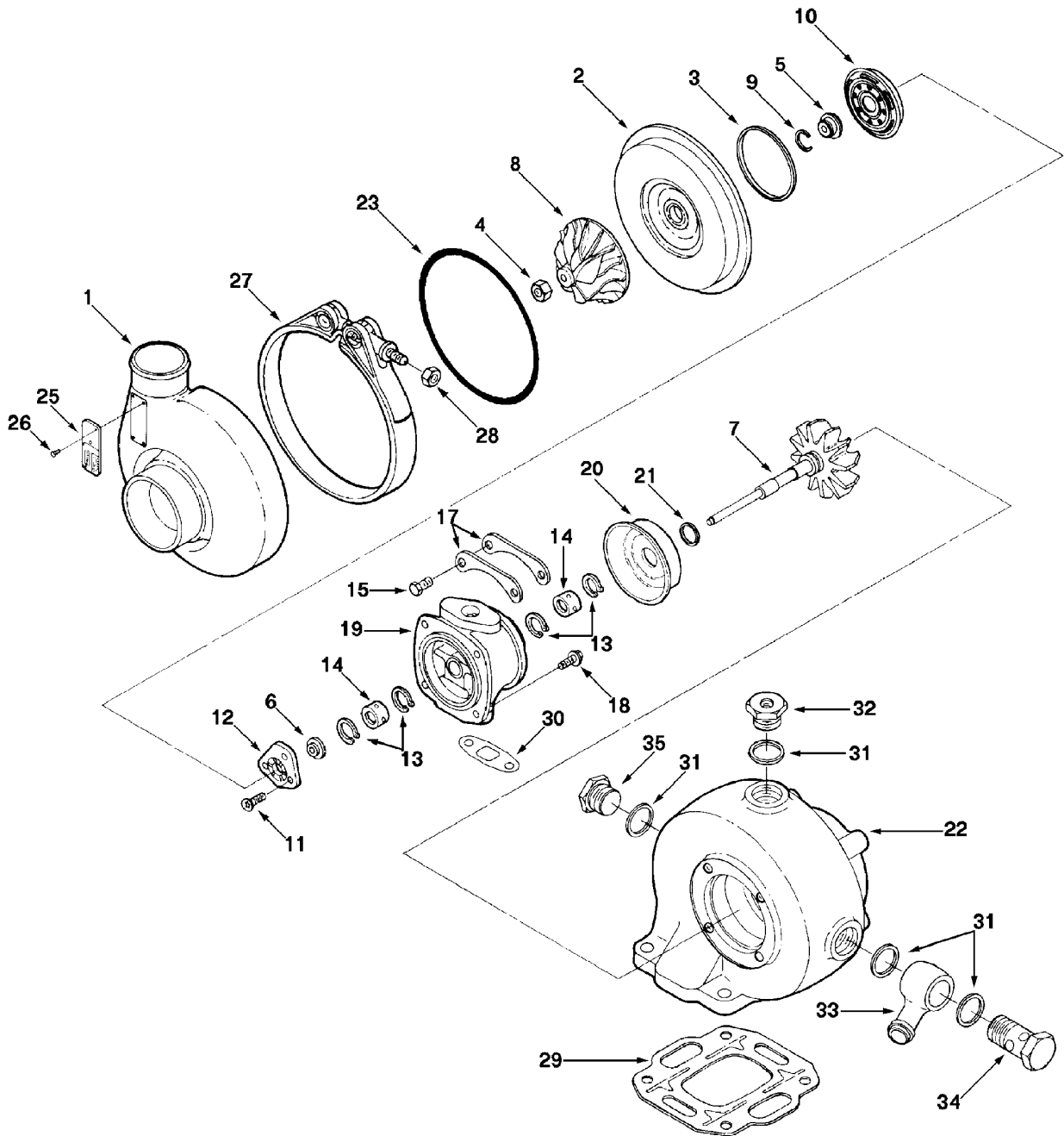


fi900gb

REF NO	PART NUMBER	PART NAME	REQ	REMARKS
	PP1165	Fuel Injector	1	CPL1165. Cav Edge Filter
1	3802333	Kit, Injector	6	
	(3919329)	Injector	1	
2	3903380	Seal, Banjo Connector	1	6MM
3	3909356	Seal, Rectangular Ring	1	
4	3900808	Seal, Injector	1	

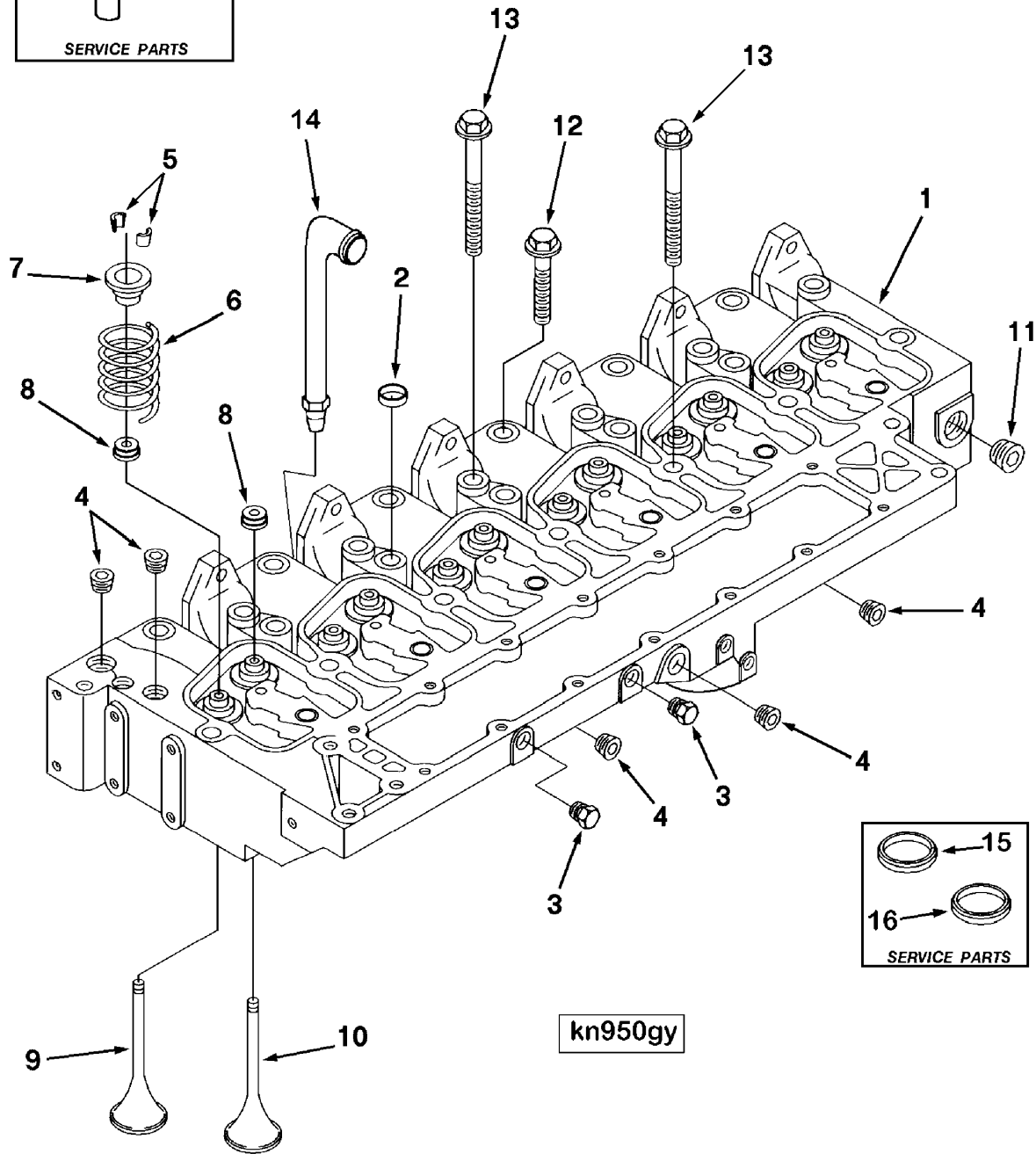
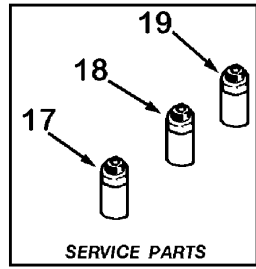


REF NO	PART NUMBER	PART NAME	REQ	REMARKS
	PP9765	Turbocharger	1	Turbocharger Engine Family: B Series Turbocharger Location: HMFO Base ID17 Turbocharger: 3528761 Turbocharger Type: Non- wastegate Turbo Model: H1C Compressor Angle (shipping): 200 Turbine Angle: 0 Structure Code: 02 EBM Engine Cylinders: 6 4 5/8 inch water supply line V Band Clamp Angle: C180 +/- 20 degrees Non Active Oil Cooled Turbocharger.
	3802594	Turbocharger	1	H1C Wet 4BT
1	(3524424)	Turbocharger	1	
2	3921926	Gasket, Turbocharger	1	
3	3519807	Gasket, Oil Drain	1	Equivalent of 3914388
4	3818824	Nut, Hexagon Flange	4	M10 x 1.50
5	3919666	Stud	4	

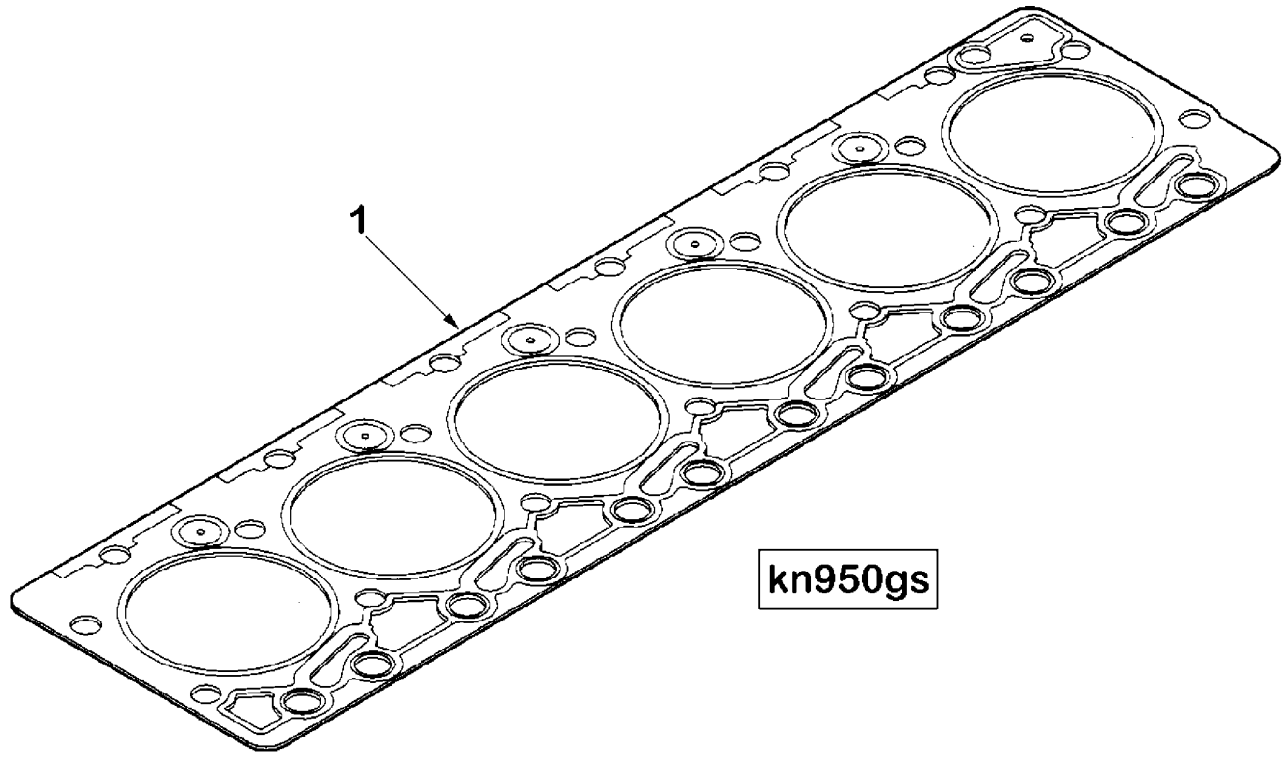


tu910ga

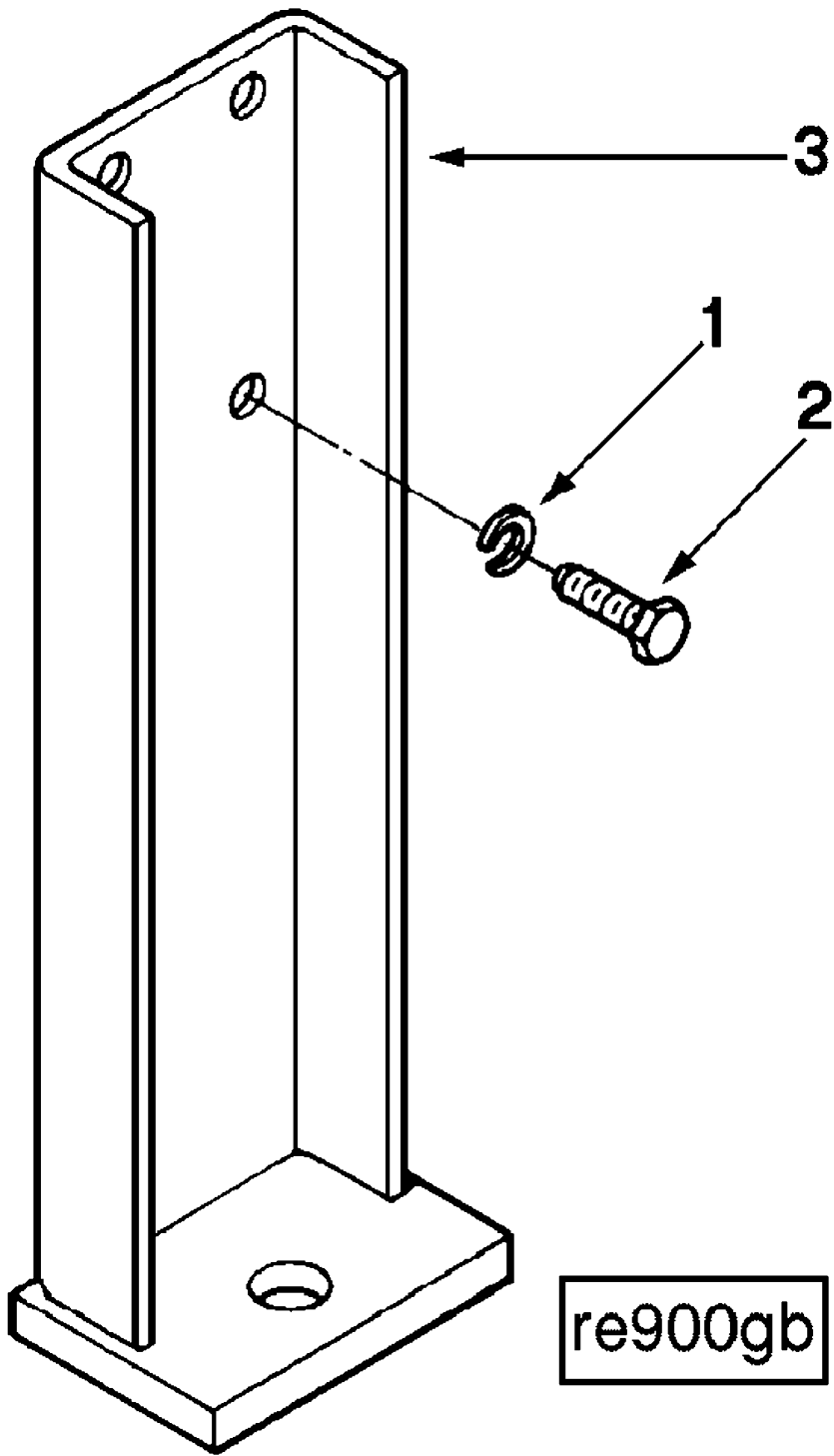
REF NO	PART NUMBER	PART NAME	REQ	REMARKS
	PP9765	Turbocharger	1	Turbocharger
	3802594	Turbocharger	1	H1C Wet 6BT
	(3524424)	Turbocharger	1	
1	3522389	Housing, Compressor	1	
2	3522801	Diffuser, Turbocharger	1	
3	3502449	Seal, Rectangular Ring	1	
	3523755	Rotor Assembly	1	
4	3503562	Nut, Lock	1	M7 x 1.00
5	3503662	Slinger, Oil	1	
6	3518980	Collar, Thrust	1	
7	3519336	Shaft & Wheel	1	
8	3521710	Impeller, Tur Compressor	1	
9	3758848	Seal, Split Ring	1	
10	3503668	Baffle, Oil	1	
11	3503347	Screw, Flat Head Cap	3	M5 x 0.80 x 16
12	3525739	Bearing, Tur Thrust	1	
13	3762259	Ring, Retaining	4	
14	3503100	Bearing, Turbocharger	2	
15	3759917	Screw, Hexagon Head Set	4	M8 x 1.25 x 12
17	3501188	Plate, Clamping	2	
18	3527184	Screw, Hex Flange Head Cap	4	
19	(3528206)	Housing, Tur Bearing	1	
20	3519302	Shield, Turbocharger Heat	1	
21	3756754	Seal, Split Ring	1	
22	3524425	Housing, Turbine	1	
23	3523958	Seal, O Ring	1	
25	(3527619)	Dataplate	1	
26	3519163	Screw, Drive	2	
27	(3521832)	Clamp, V Band	1	
28	3529372	Nut, Regular Hexagon	1	1/4 - 28 UNF
31	3755947	Washer, Sealing	4	
32	3503678	Adapter, Reducing	1	
33	3523049	Union, Banjo Connector	1	
34	3533760	Screw, Banjo Connector	1	
35	(3503677)	Plug, Threaded	1	
29	3921926	Gasket, Turbocharger	1	
30	3519807	Gasket, Oil Drain	1	Equivalent of 3914388
	3802148	Kit, Turbo Repair	1	
	3522827	Screw, Hexagon Head Set	4	M6 x 1.00 x 18
	3545652	Kit, Turbo Repair	1	H1C H2A
3	3502449	Seal, Rectangular Ring	1	
9	3758848	Seal, Split Ring	1	
12	3525739	Bearing, Tur Thrust	1	
11	3503347	Screw, Flat Head Cap	3	M5 x 0.80 x 16
13	3762259	Ring, Retaining	4	
14	3503100	Bearing, Turbocharger	2	
15	3759917	Screw, Hexagon Head Set	4	M8 x 1.25 x 12
18	3527184	Screw, Hex Flange Head Cap	4	
21	3756754	Seal, Split Ring	1	
23	3523958	Seal, O Ring	1	
	3501102	Lockplate	2	
	3518004	Washer, Lock	8	M6
29	3921926	Gasket, Turbocharger	1	
30	3914388	Gasket, Oil Drain	1	
31	3755947	Washer, Sealing	4	



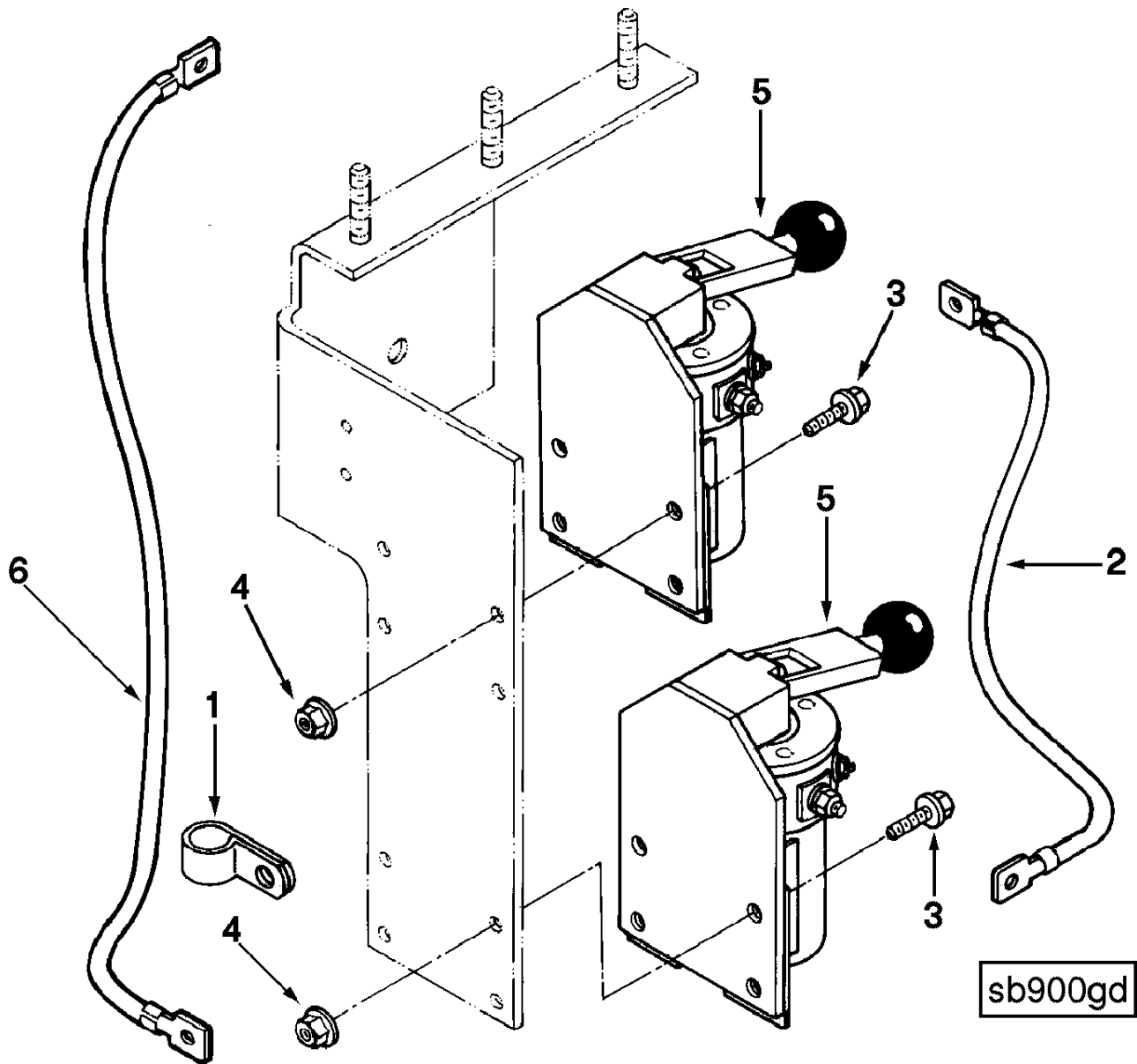
REF NO	PART NUMBER	PART NAME	REQ	REMARKS
	PP9994	Cylinder Head	1	Cylinder Head Engine Family: B Series Cylinder: 6 Swirl: High Exh Spring PSI: 36 Cylinder Head Material: Cast Iron Cylinder Head Valve Material: Standard Exhaust Manifold Type: Dry Aftercooler Water Supply Tap From FFOB (mm): 136.5 Valve Seat Inserts: No Valve Bridge Scalloping: No Aspiration: Jacket Water Aftercooled DEP may substitute valve spring retainer 3900299 for 3935038. Valve spring retainer 3900299 is NOT compatible with CDC Manufacturing.
	3934773	Head, Cylinder	1	
1	(3934743)	Head, Cylinder	1	
2	(3812092)	Plug, Expansion	4	
14	3905639	Tube, Aftercooler	1	
3	3906619	Plug, Pipe	2	1/8 NPT
4	3008468	Plug, Pipe	5	1/2 NPT
	3802355	Valve, Intake	6	
5	3900250	Collet, Valve	12	
9	(3920867)	Valve, Intake	6	
	3802356	Valve, Exhaust	6	
5	3900250	Collet, Valve	12	
10	(3920868)	Valve, Exhaust	6	
6	3926700	Spring, Valve	12	
7	3935038	Retainer, Valve Spring	12	
8	3921640	Seal, Valve Stem	12	
11	3008469	Plug, Pipe	1	3/4 NPT
12	3920779	Screw, Hex Flange Head Cap	6	
13	3920780	Screw, Hex Flange Head Cap	14	
		SERVICE PARTS		
15	3904105	Insert, Valve		Exhaust
16	3906854	Insert, Valve		Intake
17	3904408	Guide, Valve Stem		Thick wall 60.50mm long intake.
18	3904409	Guide, Valve Stem		Thick wall 51.75mm long exhaust
19	3906206	Guide, Valve Stem		Thin wall can be used on both intake and exhaust.



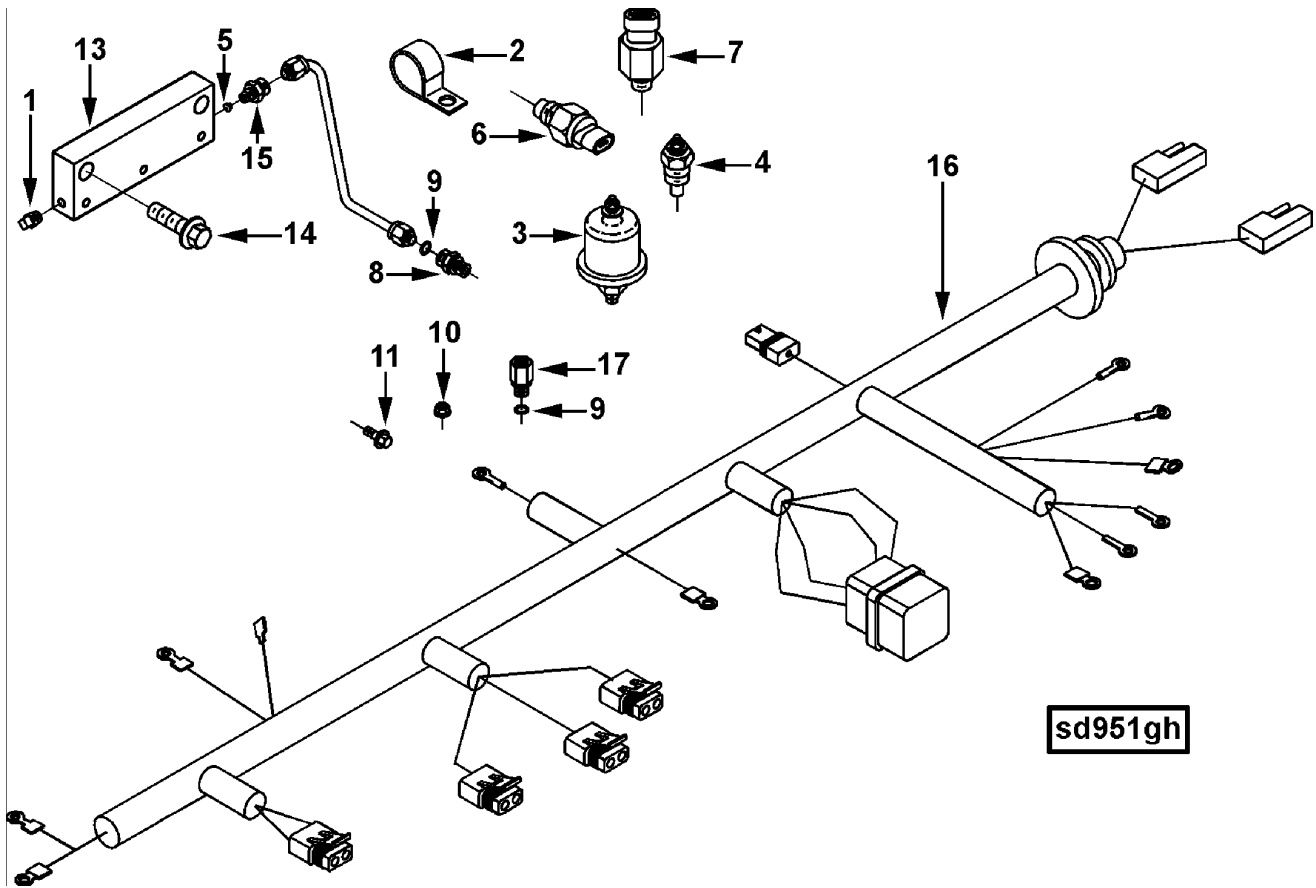
REF NO	PART NUMBER	PART NAME	REQ	REMARKS
	PP97298	Cylinder Head	1	Cylinder Head Mounting Structure Code: 02 EBM Engine Family: B Series Engine Cylinders: 6 Gasket Material: Standard
1	(3283570)	Gasket, Cylinder Head	1	



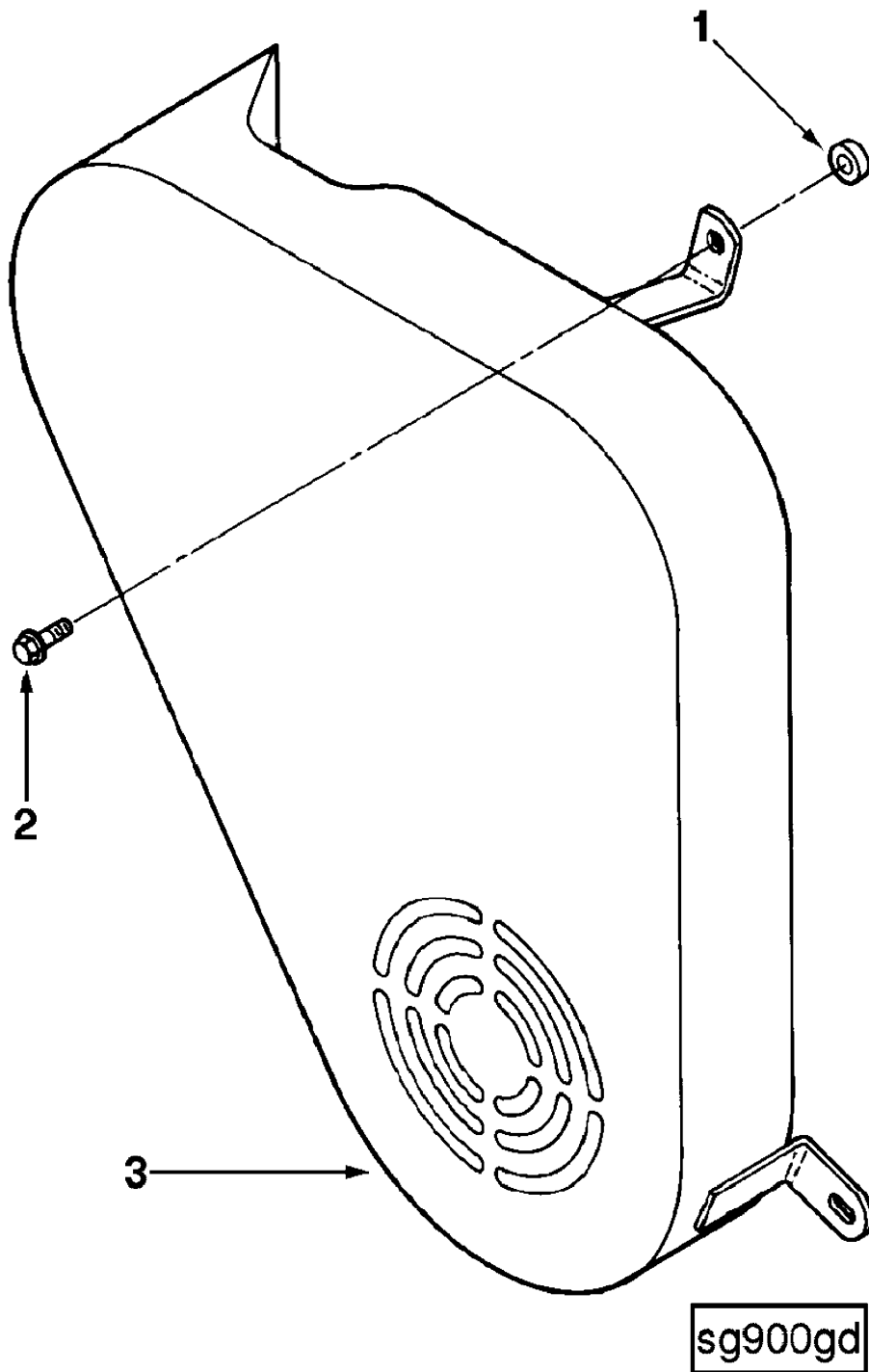
REF NO	PART NUMBER	PART NAME	REQ	REMARKS
	RE9010	Rear Engine Support	1	Rear Engine Support Engine Family: B Series Application: Fire Sump Structure Code: 02 EBM
1	S-608	Washer, Lock	8	
2	3335059	Screw, Hexagon Head Cap	8	M12 x 1.75 x 30
3	3915751	Support, Flywheel Housing	2	



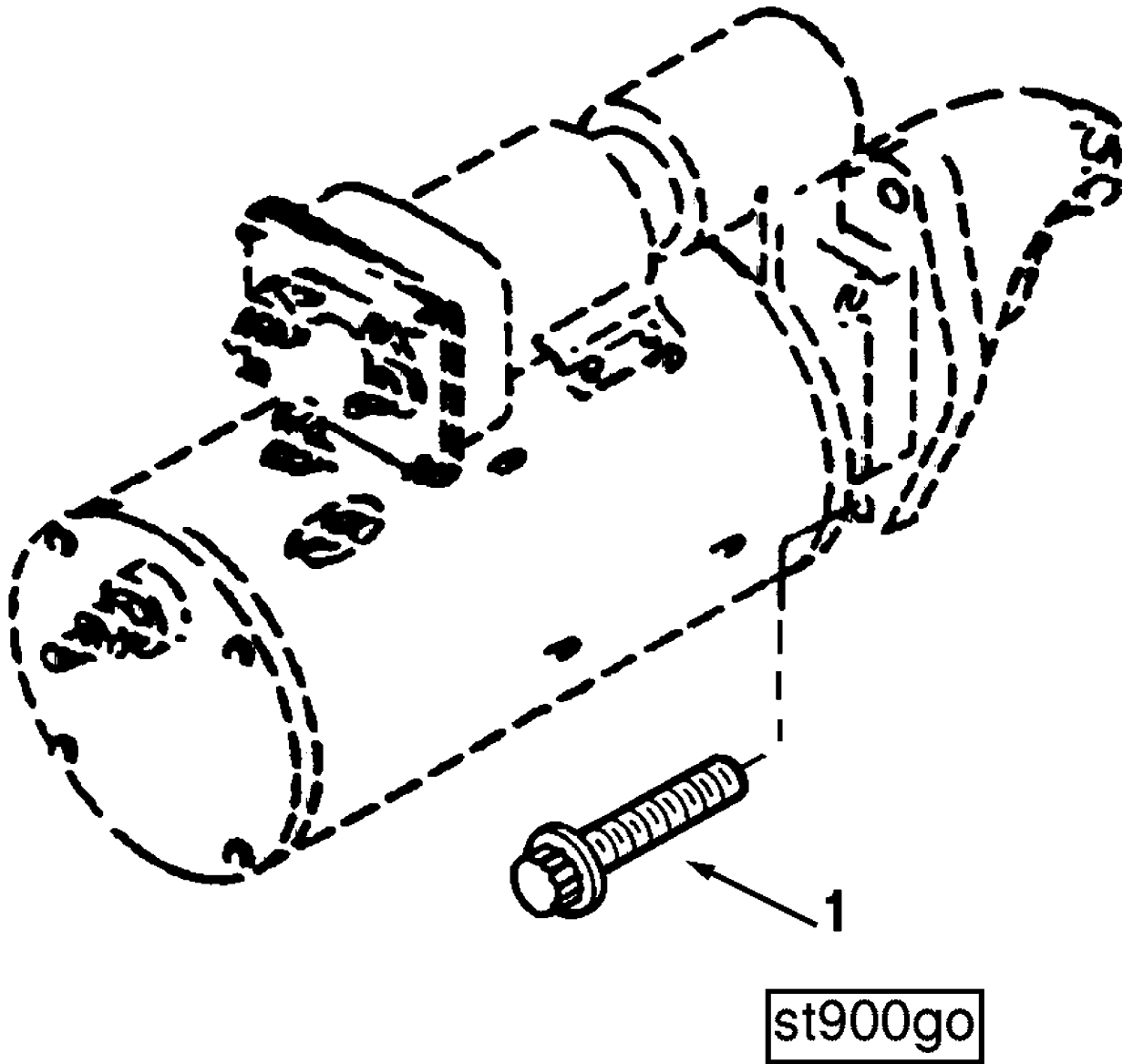
REF NO	PART NUMBER	PART NAME	REQ	REMARKS
	SB9015	Electrical Starting Access	1	Starter Electrical Accessories Description: Dual Starter Solenoid Cable Included To Starter Motor: Yes Mtg Location: Instrument Panel Engine Family: B Series System Voltage: 12
1	216848	Clip	1	
2	3026910	Cable	1	
3	3901865	Screw, Hex Flange Head Cap	8	M6 x 1.00 x 20
4	3906216	Nut, Hexagon Flange	8	M6 x 1.00
5	3911867	Solenoid	2	
6	3911871	Cable	1	



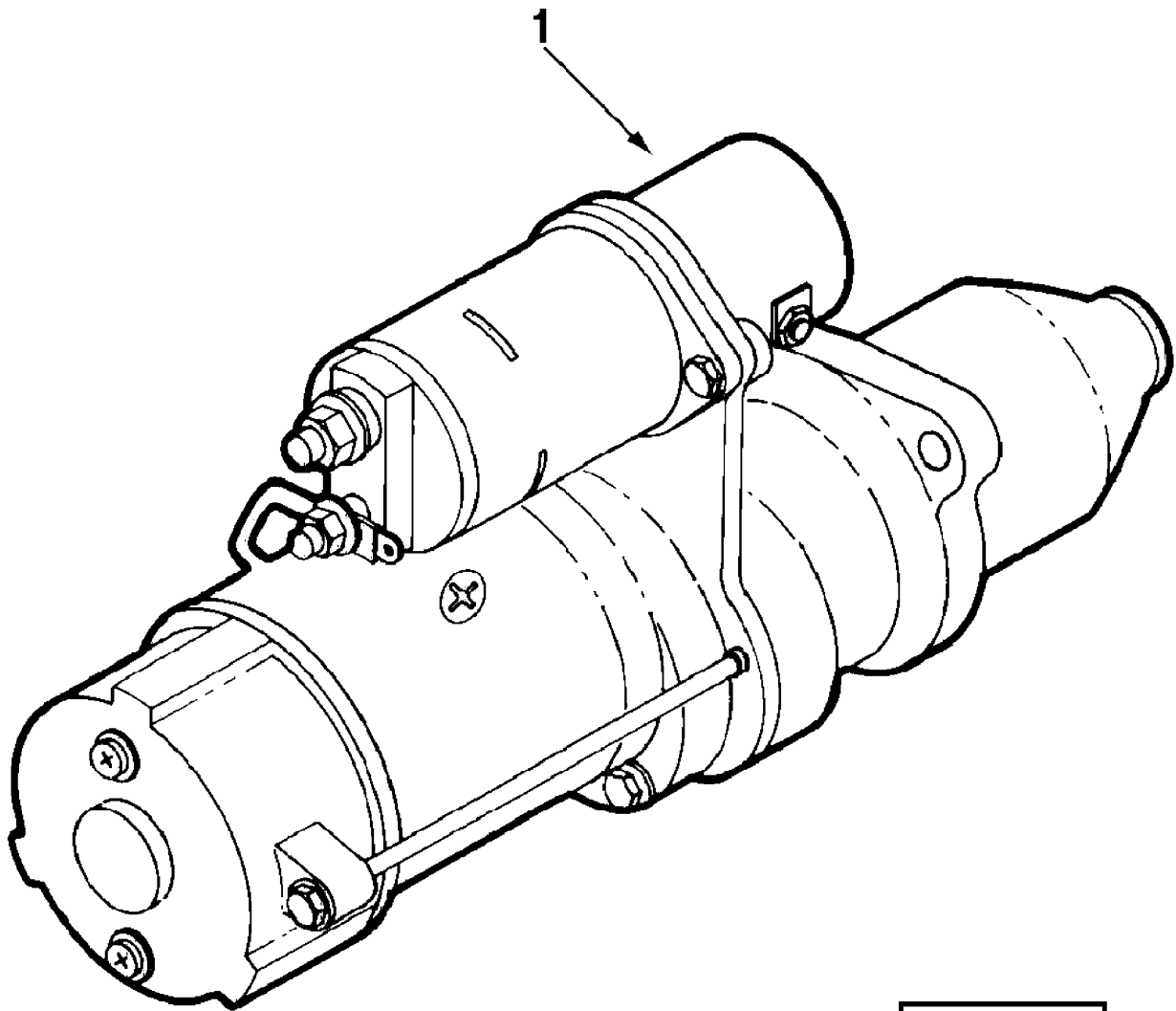
REF NO	PART NUMBER	PART NAME	REQ	REMARKS
	SD9017	Engine Monitor	1	Includes oil pressure switches, oil pressure transducer, oil temp transducer, fuel Solenoid relay and engine harness. Oil pressure transducer to be mounted in 2nd oil rifle hole. DEP may use 3064947 in place of S-949-B plug.
1	S-949-B	Plug, Pipe	1	1/8 NPT
2	67950	Clip	1	
3	3015237	Transducer	1	
4	3015238	Transducer	1	
5	3044990	Plug, Injector Orifice	1	
6	3056351	Switch, Temperature	1	
7	3062867	Switch, Pressure	3	
	3349117	Connector, Male	1	
8	(3349123)	Connector, Male	1	
9	3678925	Seal, O Ring	1	
10	3906216	Nut, Hexagon Flange	1	M6 x 1.00
11	3913638	Screw, Hex Flange Head Cap	1	M6 x 1.00 x 15
12	3918253	Tube, Lub Oil Supply	1	
13	(3918255)	Connection, Oil Block	1	
14	3920447	Screw, Hex Flange Head Cap	2	M12 x 1.75 x 40
15	3921912	Connector, Male	1	
16	3925583	Harness, Wiring	1	
	3932302	Connector, Female	1	
9	3678925	Seal, O Ring	1	
17	(3932301)	Connector, Female	1	



REF NO	PART NUMBER	PART NAME	REQ	REMARKS
	SG9038	Belt Guard	1	Package Guard Engine Cylinders: 4/6 Supplier of Protective Device : Cummins Area of Engine Designed to Protect: Engine Front Designed to Operate with Exh Loc: Rear Out Works With Front Drive Adpater: No
1	68368-B	Spacer, Mounting	1	
2	3900630	Screw, Hex Flange Head Cap	1	M8 x 1.25 x 20
	3897134	Guard, Belt	1	
3	3925492	Guard, Belt	1	

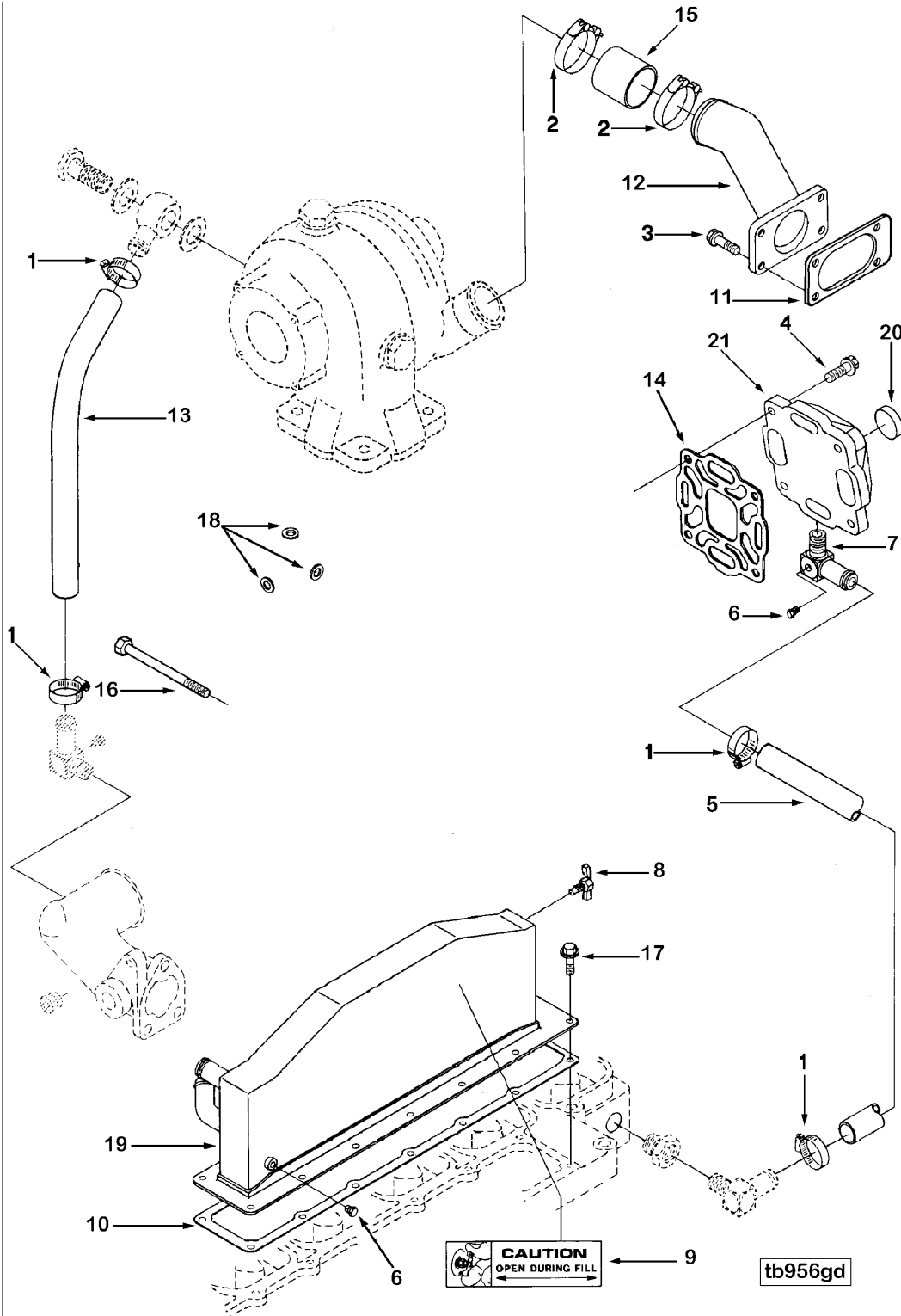


REF NO	PART NUMBER	PART NAME	REQ	REMARKS
	SM9702	Starting Motor Mounting	1	Starter Mounting Clutch Type: Dry Mounting Capscrew Size or Nut Size: M10 Required Pilot Bore (MM): 88.9 Spacer Thickness (MM): 0.0 Engine Family: B Series C Series Starter Mount SAE: Chrysler Unique - 3 Bolt SAE #1-3 Bolt 90 Degree SAE #3-3 Bolt 120 Degree
1	3903834	Screw, Twelve Point Cap	3	M10 x 1.50 x 35

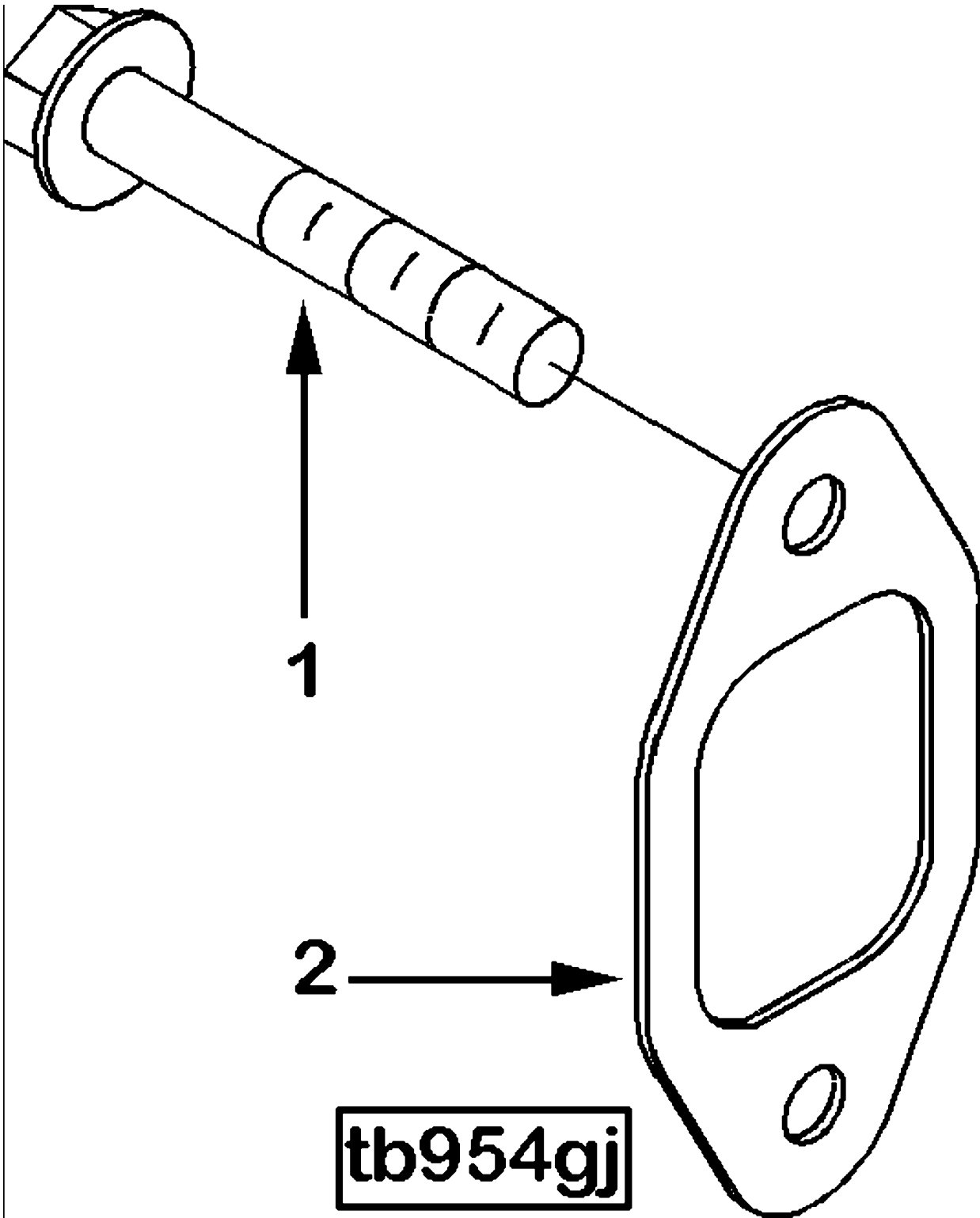


st910gc

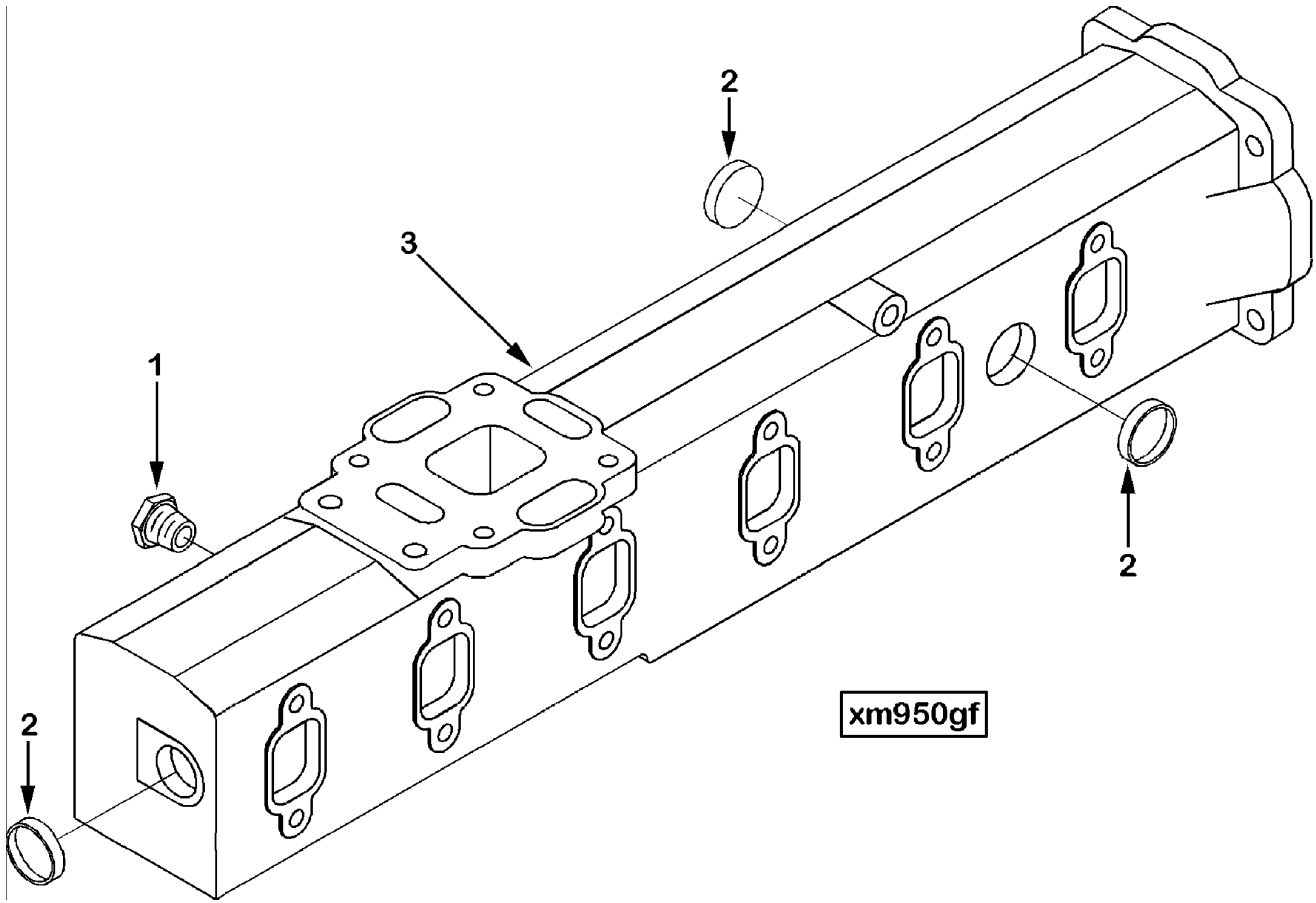
REF NO	PART NUMBER	PART NAME	REQ	REMARKS
	ST9039	Starting Motor	1	Starting Motor Mfg: Delco-Remy Volt: 12 Model/Type: 28MT Type 171 Dia Pitch: 10/12 Mt SAE: SAE #1 - 3 Bolt 90 degree Wet/Dry: Dry Starter Style: Barrel Pilot Bore Diameter (mm): 88.90 W/Heat Shield: No Mtg Flg Thickness (mm): 13.00 Angle Limitation High (deg): 135 Angle Limitation Low (deg): 315 Supply Method: Mounted Structure Code: 02 EBM Exposed Starter Length (mm): 243.6 Starter Pinion Tooth Blank: 11 Starter Pinion Offset (mm): 0 Starter Solenoid Angle (deg): 315 Engine Family: B Series.
1	3916854	Motor, Starting	1	



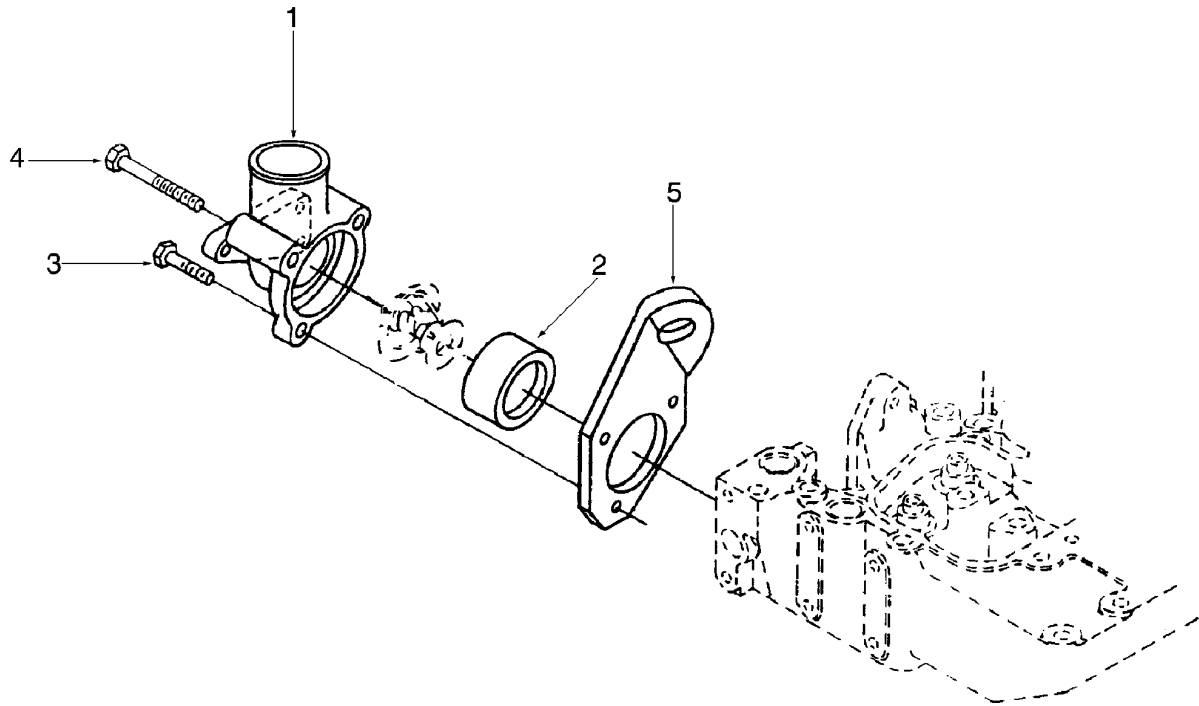
REF NO	PART NUMBER	PART NAME	REQ	REMARKS
	TB9104	Turbocharger Location	1	Turbocharger Location Engine Family: B Series Cylinders: 6 Exhaust Outlet Location: HMFO Turbo Exh Loc from FFOB (mm): 482 Exh Vert from Crank C/L (mm): 572 Exh Horz. Crank C/L (mm): 168 Aspiration: Sea Water Aftercooled Oil Supply Routing: Outboard Exh. Manifold Type: Wet Intake Cover Provided: Yes Turbine Outlet Flange Type: Half Marmon Turbocharger Type: Non- wastegate Cylinder Head Type: Standard Mounting Studs Provided: None Additional Mounting Bosses: 2 Turbo Drain Location: Front drain Bearing Housing Manufacturer: Holset Turbo Drain Tube Type: Rigid Base Turbo ID17 Number: 3528761 Aftercooler 3910282 may be substituted for 3919806.
1	210753	Clamp, Hose	4	9/16 - 1 1/4 inch
2	3016666	Clamp, T Bolt	2	
3	3918109	Screw, Hex Flange Head Cap	4	M8 x 1.25 x 25
4	3902460	Screw, Hex Flange Head Cap	4	M10 x 1.50 x 25
5	3905034	Hose, Plain	1	
	(3908225)	Coupling, Hose	1	
6	3906619	Plug, Pipe	1	1/8 NPT
7	3908221	Coupling, Elbow Hose	1	
8	3909394	Draincock	1	1/8 NPTF
9	3910778	Decal	1	
10	3931347	Gasket, Int Manifold Cover	1	
11	3914856	Gasket, Connection	1	
12	3933335	Connection, Air Crossover	1	
13	3916120	Hose, Plain	1	
14	3921926	Gasket, Turbocharger	1	
15	3916438	Hose, Plain	1	
17	3918108	Screw, Hex Flange Head Cap	12	M8 x 1.25 x 16
18	3918189	Washer, Sealing	4	
19	3919806	Aftercooler	1	
	3920946	Connection, Water Transfer	1	
20	3007636	Plug, Expansion	1	
21	(3920945)	Connection, Water Transfer	1	



REF NO	PART NUMBER	PART NAME	REQ	REMARKS
	TB9786	Exhaust Manifold	1	Turbocharger Location Mounting Structure Code: 02 EBM Engine Family: B Series Cylinders: 6 Horsepower Limitation: =201 Mounting Studs Provided: None Manifold Type: Wet
1	3916518	Screw, Hex Flange Head Cap	12	M10 x 1.50 x 125
2	3929881	Gasket, Exhaust Manifold	6	

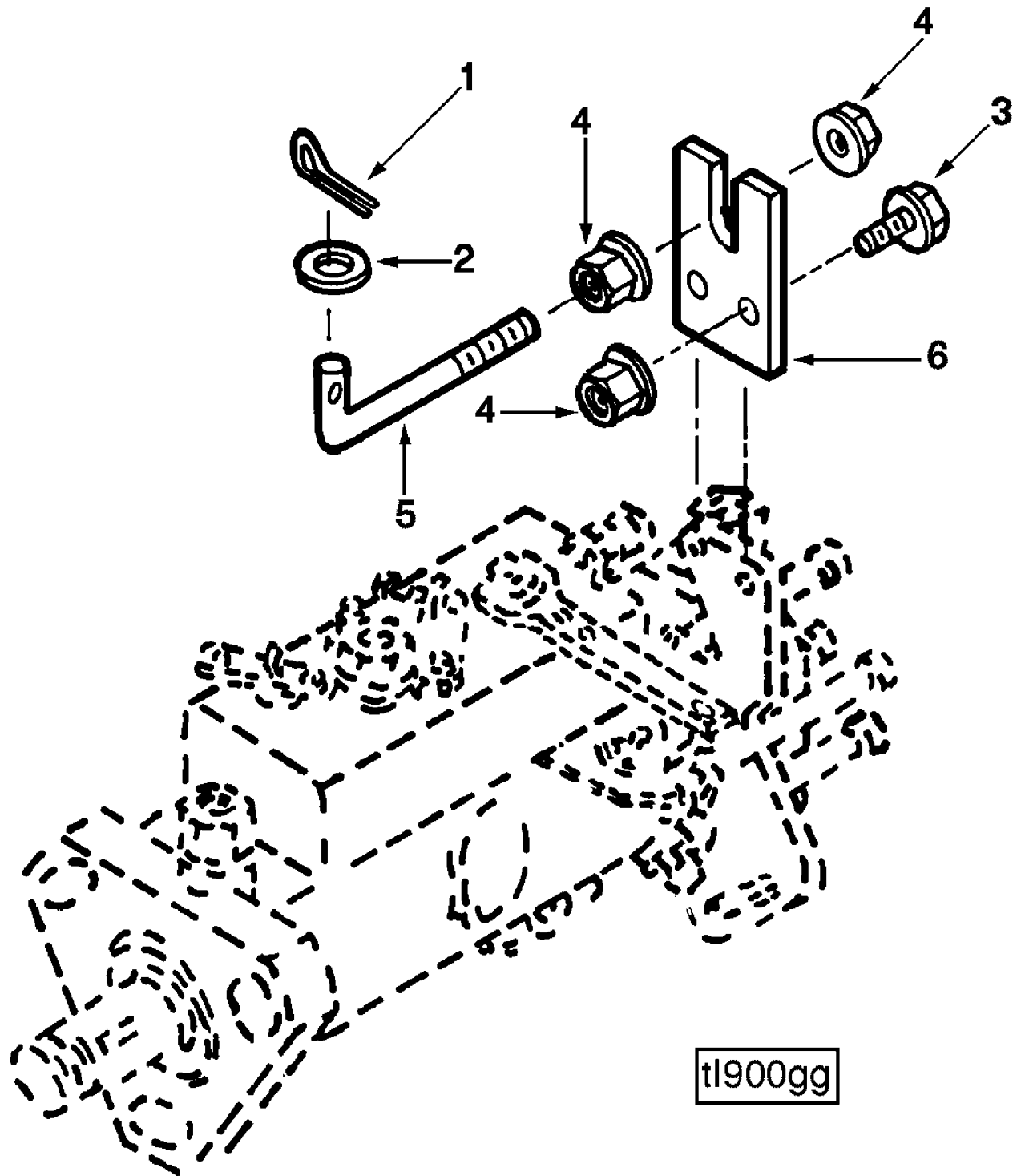


REF NO	PART NUMBER	PART NAME	REQ	REMARKS
	TB9799	Exhaust Manifold	1	Exhaust Manifold Structure Code: 02 EBM Engine Family: B Series Cylinders: 6 Manifold Material: Standard Turbo Exhaust Location: HMFO Manifold Type: Wet Additional Mounting Bosses: 2
	3922123	Manifold, Exhaust	1	
1	S-982	Bushing, Reducing Pipe	1	3/4 NPTF(Ext) x 1/2 NPTF(Int)
2	3908092	Plug, Expnsion	3	
3	(3922122)	Manifold, Exhaust	1	

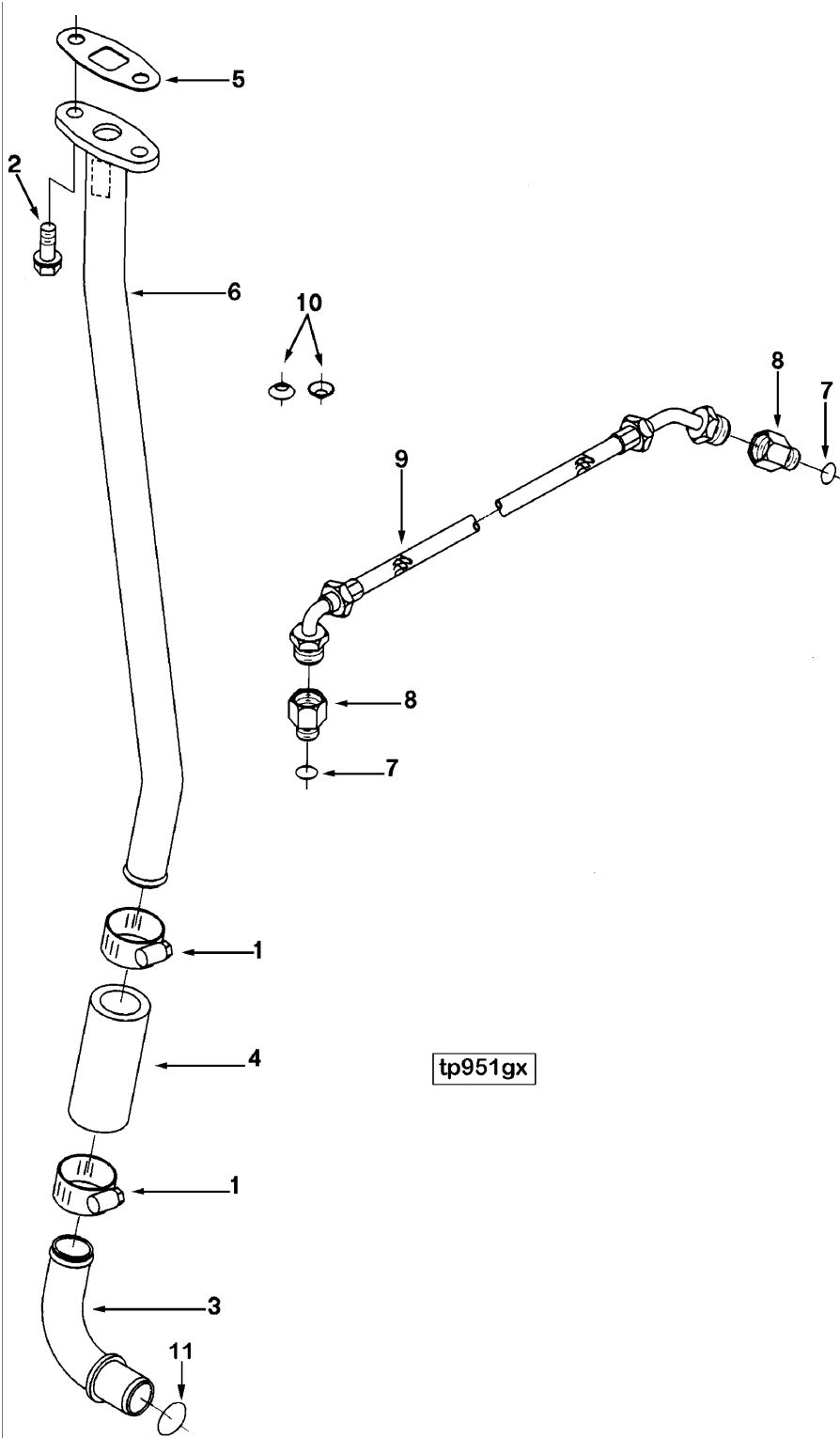


th900gb

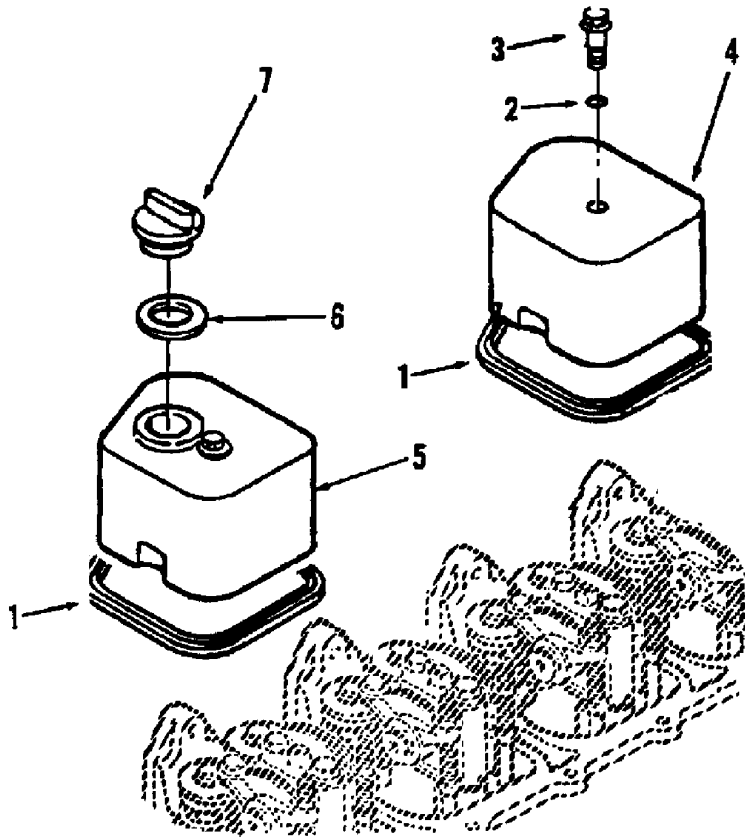
REF NO	PART NUMBER	PART NAME	REQ	REMARKS
	TH9001	Thermostat Housing	1	Thermostat Thermostat Bore: 54.25 Outlet Type/OD (mm): 45.0 Outlet Direction: Vertical Bracket Direction: Vertical/Forward Airation Method: Non-Vented Tappings for Belt Tensioner: No Engine Families: B Series
1	3914409	Housing, Thermostat	1	
2	3923331	Gasket, Thm Housing Cov	1	
3	3900632	Screw, Hex Flange Head Cap	1	M8 x 1.25 x 35
4	3926972	Screw, Hex Flange Head Cap	2	
5	3903757	Bracket, Lifting	1	.250 inch thick



REF NO	PART NUMBER	PART NAME	REQ	REMARKS
	TL9003	Throttle Lever	1	Lever, Throttle (Bracket) Restricted Fuel Pump Mtg: CAV Model: DPA Option Content: Bracket and Linkage
1	S-511	Pin, Cotter	1	
2	146157	Washer, Plain	1	1/4 inch
3	3901865	Screw, Hex Flange Head Cap	2	M6 x 1.00 x 20
4	3906216	Nut, Hexagon Flange	4	M6 x 1.00
5	3911860	Link, Adjusting	1	
6	3911861	Bracket, Throttle Control	1	

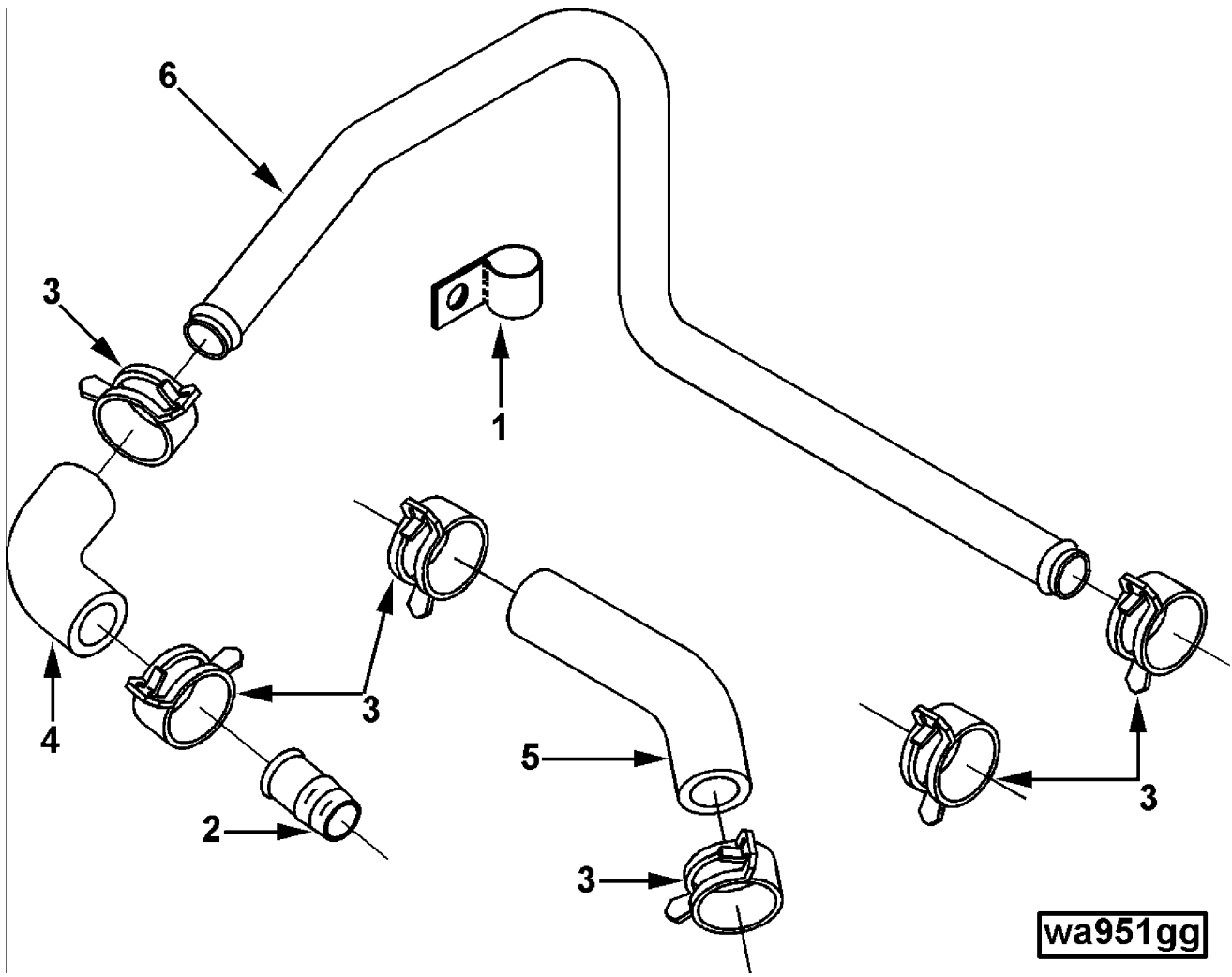


REF NO	PART NUMBER	PART NAME	REQ	REMARKS
	TP9714	Turbocharger Plumbing	1	Plumbing, Turbocharger Engine Cylinders: 6 Turbo & Exhaust Out Location: High Mount Front Out Oil Filter Mounting Location: On Engine Turbo Oil Supply Hose Routing: Outboard Exhaust Manifold Type: Wet
1	3922842	Clamp, Hose	2	
2	3900630	Screw, Hex Flange Head Cap	2	M8 x 1.25 x 20
3	3931973	Tube, Tur Oil Drain	1	
4	3931970	Hose, Plain	1	
5	3931350	Gasket, Oil Drain	1	
6	3918587	Connection, Tur Oil Drain	1	
	3919687	Connector, Female	2	
7	(3284244)	Connector, Female	1	
8	3037236	Seal, O Ring	1	
9	3909548	Hose, Flexible	1	
10	3924389	Washer, Sealing	2	
11	3931824	Seal, O Ring	1	

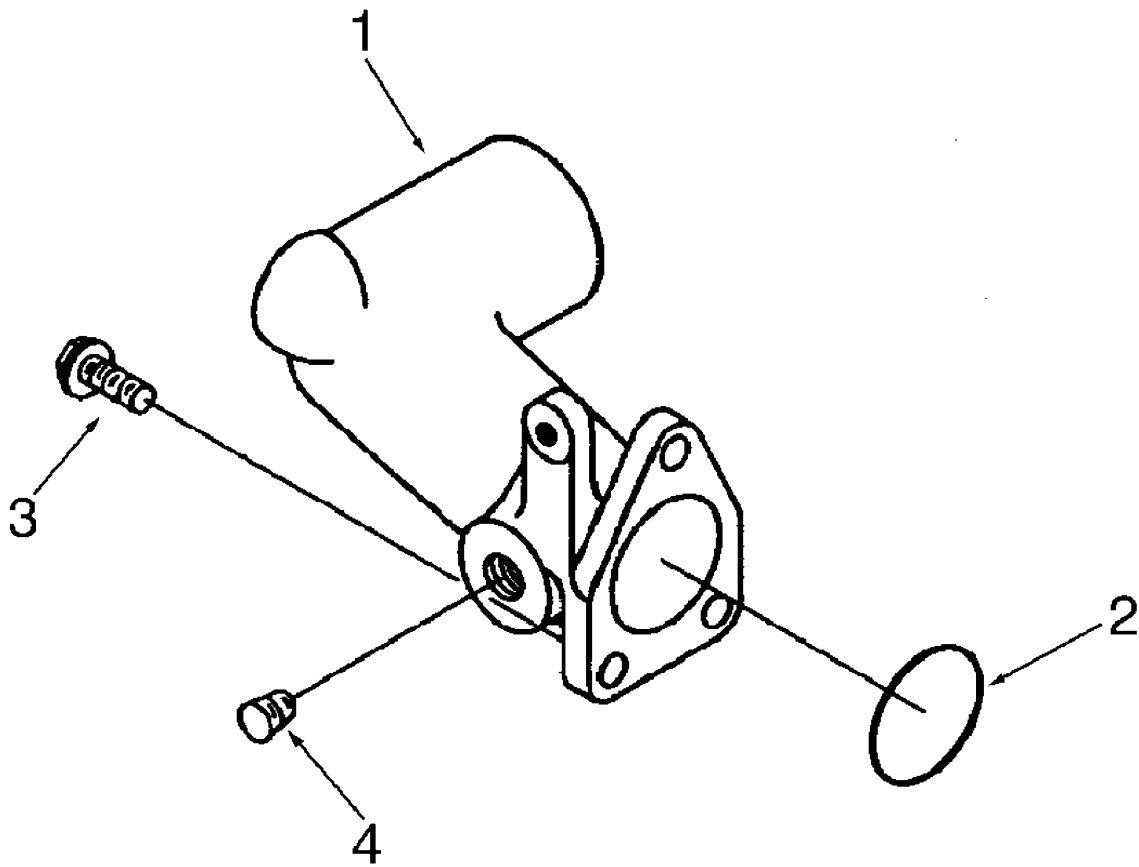


vc900gh

REF NO	PART NUMBER	PART NAME	REQ	REMARKS
	VC9005	Valve Cover	1	Valve Cover Family: B Series Cylinders: 6 Oil Fill Cylinder: Cylinder 1 Noise Supression Provision: No Studded Capscrew Location: None Plain washer S-602 may be used.
1	3930906	Gasket, Valve Cover	6	
2	3928406	Isolator, Noise	6	
3	3907049	Screw, Hex Flange Head Cap	6	M8 x 1.25 x 21
4	3928404	Cover, Valve	5	
5	3928405	Cover, Valve	1	
6	3902363	Seal, Rectangular Ring	1	3.0 thick
7	3901895	Cap, Filler	1	

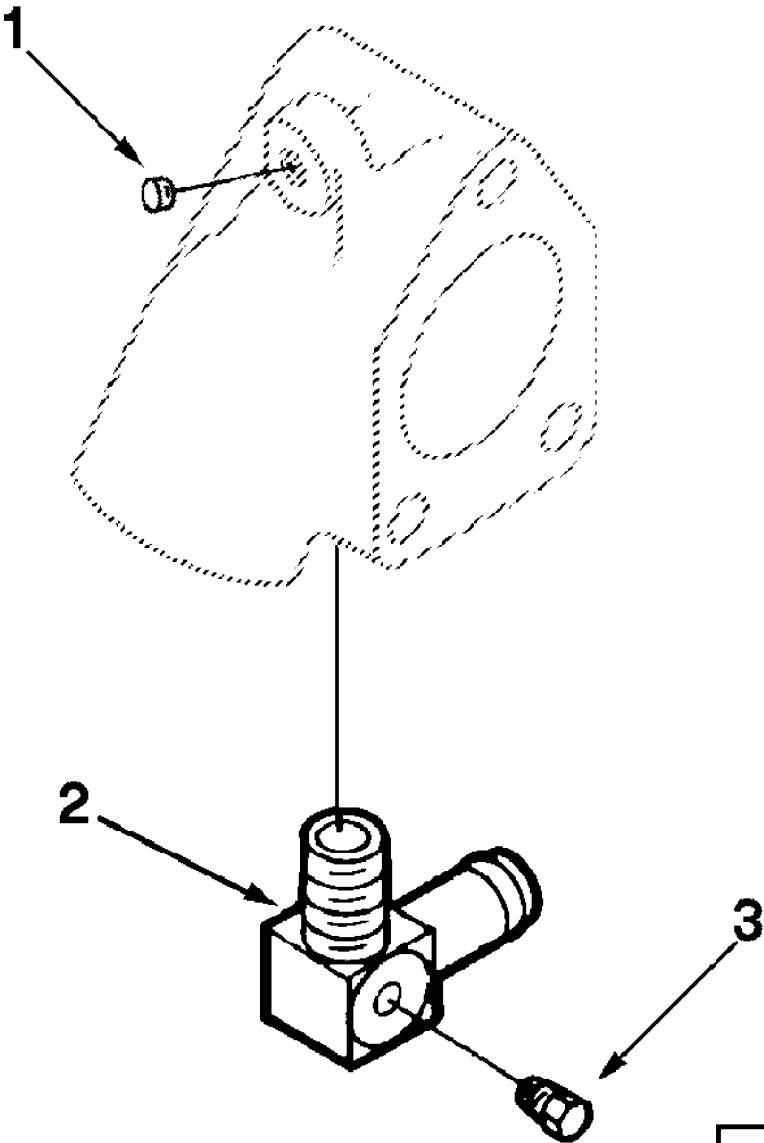


REF NO	PART NUMBER	PART NAME	REQ	REMARKS
	WA9713	Aftercooler Plumbing	1	Aftercooler Water Plumbing Exhaust Manifold Type: Wet Works Only With Rear Expansion Tank: Yes
1	202888	Clip	1	
2	3907167	Coupling, Plain Hose	1	
3	3918163	Clamp, Hose	6	
4	3918607	Hose, Elbow	1	
5	3918608	Hose, Elbow	1	
6	3919552	Tube, Aftercooler	1	



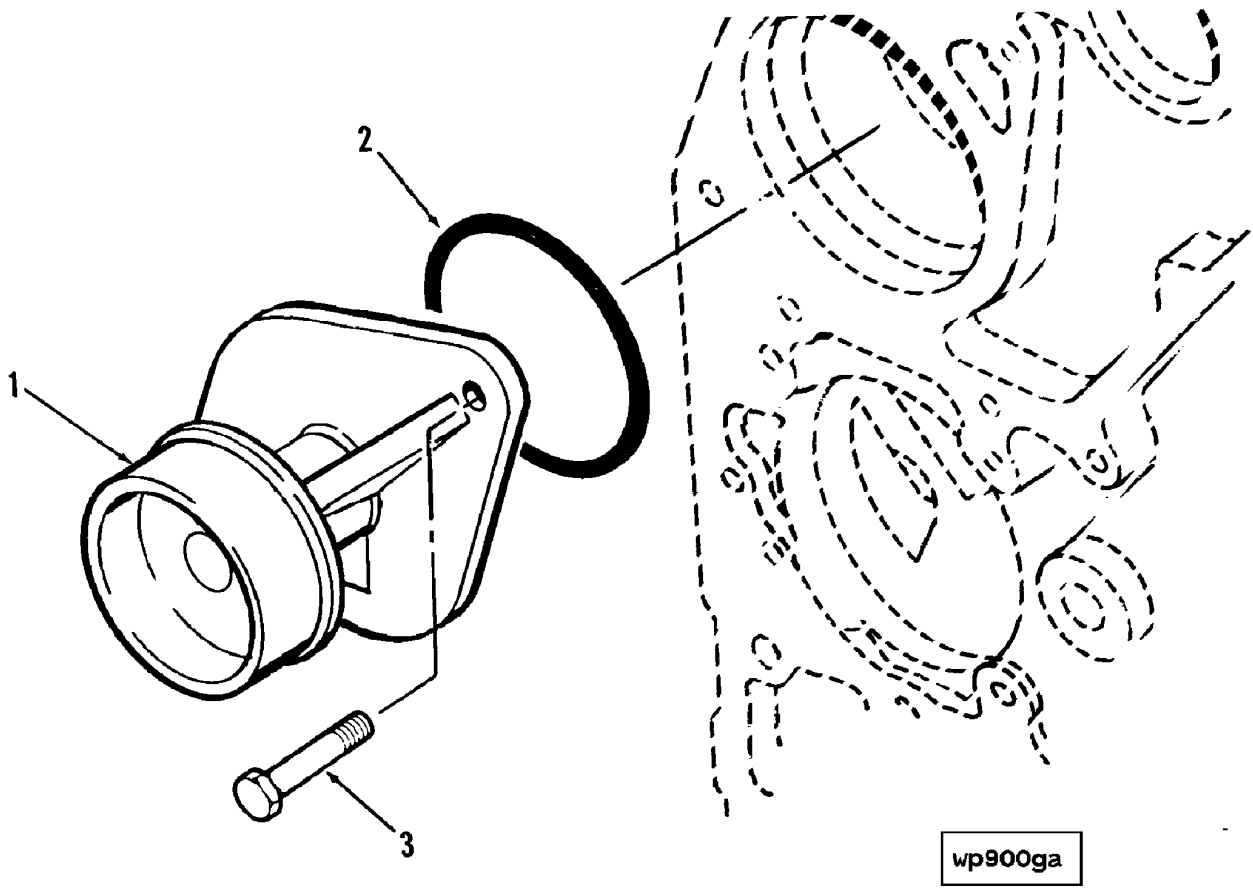
wi900gk

REF NO	PART NUMBER	PART NAME	REQ	REMARKS
	WI9010	Water Inlet Connection	1	Water Inlet Connection Structure Code: 02 EBM Engine Family: B Series Inlet Connection OD (MM): 58.00 Connection Type: Beaded Connection Orientation: Rearward Contains Mtg Pad For Freon Compressor: No Attachment For Low Profile Tensioner: No
1	3907007	Connection, Water Inlet	1	
2	3906697	Seal, Rectangular Ring	1	
3	3902460	Screw, Hex Flange Head Cap	3	M10 x 1.50 x 25
4	3008468	Plug, Pipe	1	1/2 NPT

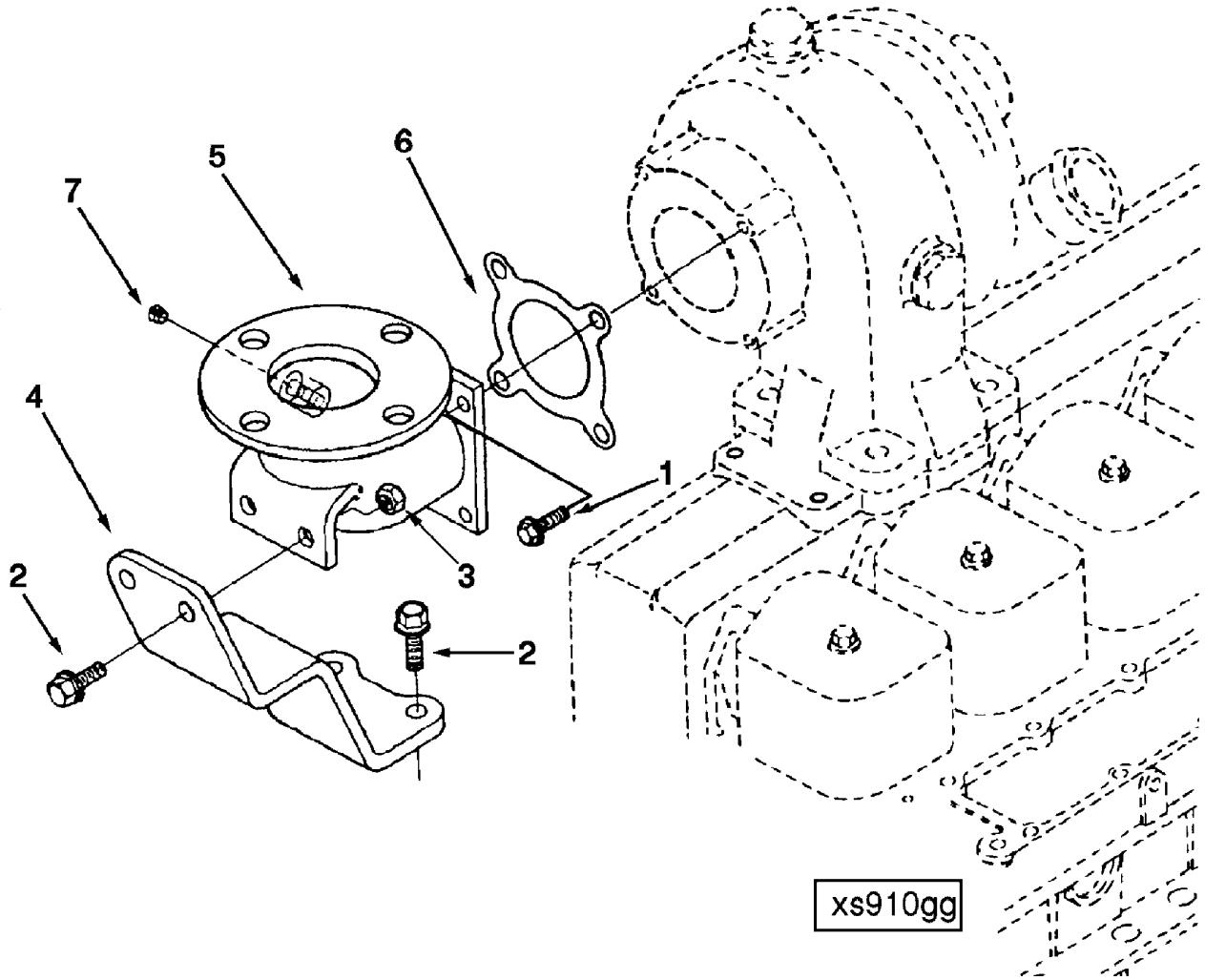


wi910ga

REF NO	PART NUMBER	PART NAME	REQ	REMARKS
	WI9702	Water Inlet Connection	1	Plug and connection for use in water inlet connection to be used with water cooled exhaust manifold.
1	3008468	Plug, Pipe	1	1/2 NPT
	(3908225)	Coupling, Elbow Hose	1	
2	3908221	Coupling, Elbow Hose	1	
3	3906619	Plug, Pipe	1	1/8 NPT



REF NO	PART NUMBER	PART NAME	REQ	REMARKS
	WP9001	Water Pump	1	Water Pump Pulley Type: Standard Engine Family: B Series Pulley Diameter (MM): 88.00 P/N 3903297, O-Ring Seal is interchangeable with P/N 3906698
	3802971	Kit, Water Pump	1	
1	(3283602)	Pump, Water	1	
2	3906698	Seal, Rectangular Ring	1	
3	3941981	Screw, Hexagon Head Cap	2	



REF NO	PART NUMBER	PART NAME	REQ	REMARKS
	XS9039	Exhaust Connection	1	Exhaust Connection Engine Family: B Series Exhaust Manifold Type: Wet Exhaust Pipe Diameter (in.): 3.00 Connection Orientation: 90 Deg Vertical Mounting Flange to Turbo: 1/2 Marmon Turbocharger Type: Non- Wastegate Restricted Cylinders: 4, 6 Restricted Turbocharger Location: HMFO Restricted Aspiration: Turbocharged Jacket Water Aftercooled.
1	3900630	Screw, Hex Flange Head Cap	4	M8 x 1.25 x 20
2	3902460	Screw, Hex Flange Head Cap	4	M10 x 1.50 x 25
3	3902662	Nut, Hexagon Flange	2	M10 x 1.50
4	3905071	Brace, Exh Out Connection	1	
5	3911862	Connection, Exhaust Outlet	1	
6	3921961	Gasket, Exh Out Connection	1	
7	3906619	Plug, Pipe	1	1/8 NPT