

BULKHEAD STEERERS

GEARED REDUCTION STEERERS

Edson's Fig 360 Geared Reduction Steerer is distinguished by its first class engineering and design. It is a powerful and sensitive steerer designed for pleasure and commercial boats 35' and over. This steerer will deliver approximately 50% more power than bulkhead steerers with quadrants of the same size, and is an exemplary performer for powercraft, motorsailers and heavy auxiliaries with limited space around the rudderpost.

Constructed of extra heavy non-magnetic stainless, bronze or brass, the Fig 360 Geared Reduction Steerer's additional features include oil impregnated bronze bearings, an oversized frame for even load distribution and a two inch shaft extension for easy autopilot installations. This steerer is available in Sizes 2, 3 and 2x4-10. Sizes 2 and 3 are pre-drilled for the easy installation of a Fig 742 Friction Brake, and have stainless faceplates and wheel shafts. Size 2x4-10 has a chromed faceplate and brass wheel shaft. All three sizes come with stainless wheel nuts and stainless wheel keys.

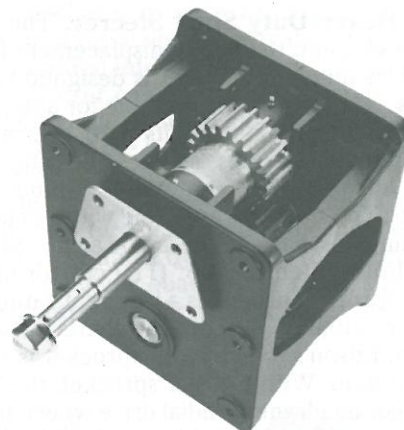


Fig 360
Size 2x4-10

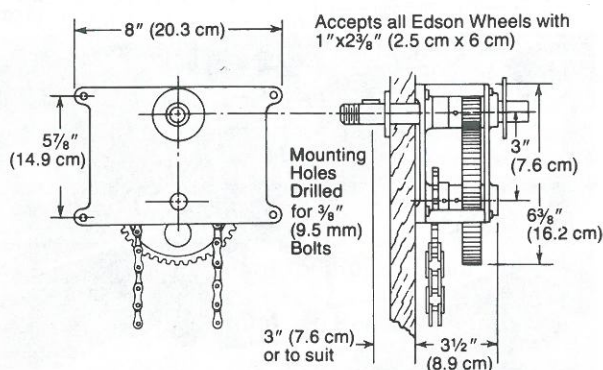


Fig 360
Sizes 2 & 3

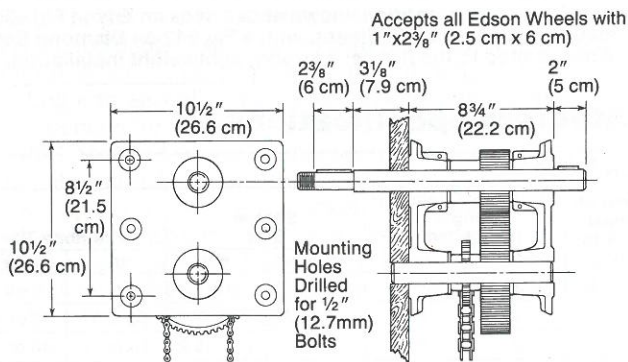
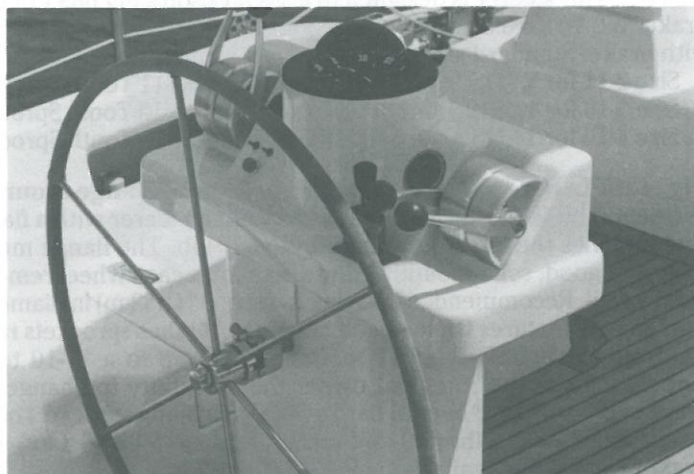


Fig 360
Size 2x4-10



The Holland 105 Steering Pedestal shown above uses the Edson Fig 360 Size 2x4-10 Geared Reduction Steerer with a leather covered Fig 644ST Stainless Destroyer Wheel.

NUMBER OF TURNS HARD OVER TO HARD OVER

Fig 360 Steerer Quadrant Size (in)	10	12	14	16	17	20	24
Rudder Travel	90°	70°	90°	70°	90°	70°	90°
Steerer Size 2	3.4	2.5	4.0	3.1	4.7	3.6	5.4
Steerer Size 3	3.0	2.2	3.6	2.7	4.2	3.2	4.8
Steerer Size 2x4-10	2.3	2.2	3.3	2.6	3.8	3.0	4.4
Length of Edson Fig 630 Roller Chain required for Sizes 2, 3 & 2x4-10	2' (.61m)	2' (.61m)	2 1/2' (.76m)	2 1/2' (.76m)	3' (.91m)	3' (.91m)	3 1/2' (1.07m)

Fig 360 GEARED REDUCTION STEERERS SELECTION GUIDE

Fig 360 Steerer Size	Gear Ratio	Pitch in (mm)	Chain No.	Pitch Dia in (cm)	Chain Travel Per Turn of Wheel in (cm)	No. of Teeth	Weight lbs (kg)	For Boats		Quadrant Size in (cm)	Wheel Size in (cm)	Wire Rope Size in (mm)	Sheave Size in (cm)	No. of Turns Lock to Lock 70° 90°	Out-put ft/lbs	Equivalent Tiller Length ft (m)
								L.O.A. ft (m)	L.W.L. ft (m)							
2	2:1	5/8 (15.9)	50	3.0 (7.6)	4.7 (11.9)	15	24 (10.9)	34-45 (10.4-13.7)	30-40 (9.1-12.2)	12 (30.5)	20-28 (50.8-71.1)	1/4 (6.4)	6 (15.2)	3.1 4.0	750	18 (5.5)
3	2:1	3/4 (19.0)	60	3.4 (8.6)	5.3 (13.5)	13	25 (11.3)	45-60 (13.7-18.3)	40-55 (12.2-16.8)	16 (40.6)	28-32 (71.1-81.3)	1/4 (6.4)	6 (15.2)	3.6 4.7	1000	25 (7.6)
2x4-10	2:1	1 (25.4)	80	3.6 (9.1)	5.6 (14.2)	10	65 (23.5)	60-100 (18.3-30.5)	55-90 (16.8-27.4)	30 (76.2)	36-60 (91.4-152.4)	1/4 to 3/8 (6.4 to 9.5)	8-12 (20.3-30.5)	4.0 8.0	1800	45 (13.7)